

CABLE GROMMET (DUST PROTECTION)



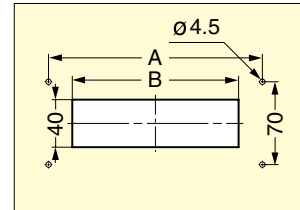
WSD

ENCLOSURE COMPONENTS

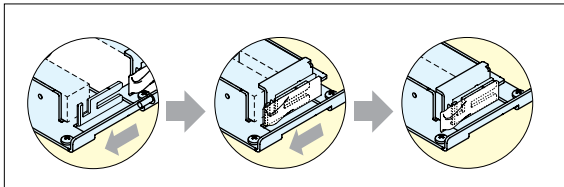
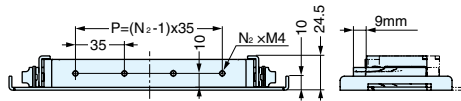
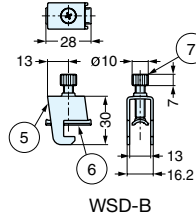
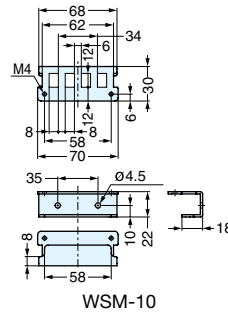
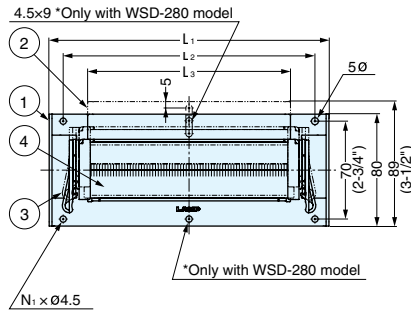
CABLE GROMMET (DUST PROTECTION)



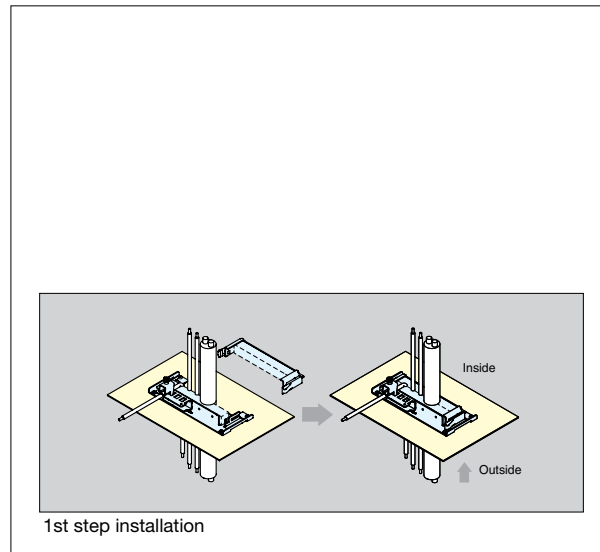
- Cable grommet with dust barrier.
- Easy installation without tools required.
- Cable grommet designed for variety of manufacturing tool and equipment enclosures.
- IP5X rated - limits the ingress of dust.
- Pile Fabric and NBR rubber gaskets creates better seal for use with various size cables.
- Removeable guide plate for easy access to cables.
- Accommodates cables up to Ø20 mm.
- 70 - 3 each Ø20 mm / 140 - 6 each Ø20 mm / 280 - 8 each Ø20 mm
- Gasket can be adjusted to accommodate multiple cables.
- WSM-10 cable management bracket optional.
- WSD-B bracket optional.



Cut Out Dimensions



2nd step installation process adjusts to different sized wires.



1st step installation

No.	Part Name	Material	Finish
①	Base Plate	Steel	Nickel
②	Guide Plate		
③	Joint	Polyacetal	White
④	Gasket	NBR Rubber +Pile Fabric	Black
⑤	WSM-10 body	Steel	Nickel
⑥	Pressure Plate		
⑦	Bolt		Yellow Zinc Chromate

Item No.	Description	Weight (g)
WSD-B	Wire management bracket	61
WSM-10	Wire bracket	23

Item No.	L ₁	L ₂	L ₃	P	N ₁	N ₂	A	B	Weight (g)
WSD-70	130 (5-1/8")	110 (4-21/64")	75 (2-61/64")	35	3	2	110	70	298
WSD-140	200 (7-7/8")	180 (7-3/32")	145 (5-45/64")	105		4	180	140	433
WSD-280	340 (13-25/64")	320 (12-19/32")	285 (11-7/32")	245	4	8	320	280	793