

Parts Set (Per Door) **Necessary Parts**

Item Code	Item Name	Description
250-029-771	FD80DHCHP-PD	Recessed Roller Two-Way Soft Close

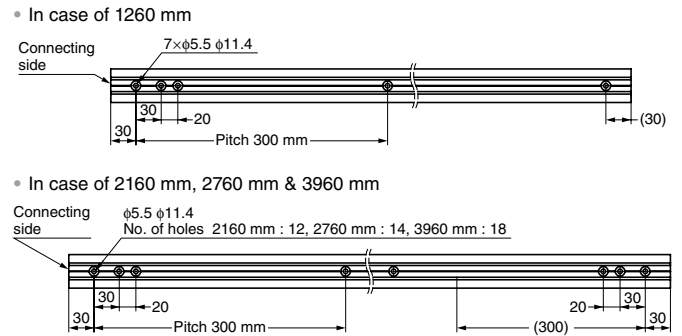
Parts Included

No.	Qty	Part Name	Dimensions	Description
1	1 pc	Recessed Mount Roller Two-Way Soft Close		Item Code : 250-022-239 Item Name : FD80-WRH-DSC • Material Zinc Alloy (ZDC) / Polyacetal (POM) • Finish / Colour Nickel / Black Remarks Do not use the included trigger.
2	1 pc	Front Trigger		Item Code : 250-029-709 Item Name : FD80-TRGPF • Material Stainless Steel (SUS304) • Finish Plain
3	1 pc	Pocket Trigger		Item Code : 250-029-708 Item Name : FD80-TRGPB-MB • Material Stainless Steel (SUS304) • Finish Plain
4	1 pc	Recessed Roller		Item Code : 250-022-241 Item Name : FD80-WRH • Material Zinc Alloy (ZDC) / Polyacetal (POM) • Finish / Colour Nickel / Natural
5	2 pcs	Hanging Bracket (160 mm)		Item Code : 250-120-608 Item Name : FD70B-HB160 • Material Aluminium Alloy • Finish Anodized Silver • Screw Pan Head Tapping Screw 5x40
6	2 pcs	End Cap		Item Code : 250-121-142 Item Name : FD70B-EC-BL • Material Elastomer (TPE) • Colour Black
7	1 pc	Floor Guide		Item Code : 250-029-718 Item Name : FD50-BGR18 • Material Stainless Steel (SUS430) / Polyacetal (POM) • Finish / Colour Polished / Natural • Screw Raised Countersunk Head Tapping Screw 3.5x30
8	1 pc	Bottom Guide Rail (1500 mm)		Item Code : 250-019-971 Item Name : FD30-HBRT1500SIL • Material Aluminium Alloy • Finish Anodized Silver

Upper Track **Necessary Parts**

No.	Length	Item Code	Part Name	Dimensions	Description
9	1260 mm	250-029-692	Upper Track		• Material Aluminium Alloy • Finish Anodized Silver
		FD80-TRP1260-SL			
10	2160 mm	250-029-693			
		FD80-TRP2160-SL			
11	2760 mm	250-029-694	FD80-TRP2760-SL		
12	3960 mm	250-029-695	FD80-TRP3960-SL		

Hole Dimensions of Upper Track



ARCHITECTURAL DOOR HARDWARE

POCKET DOOR SYSTEM