

SHELF HOLDER (FOR AP-DM)

AP-FB120

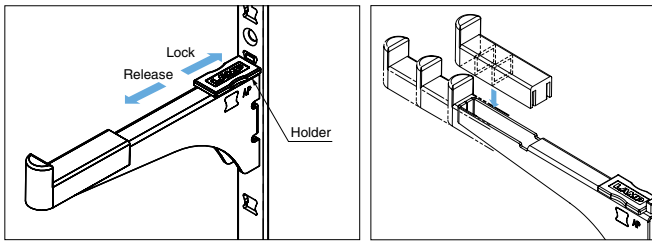


Features

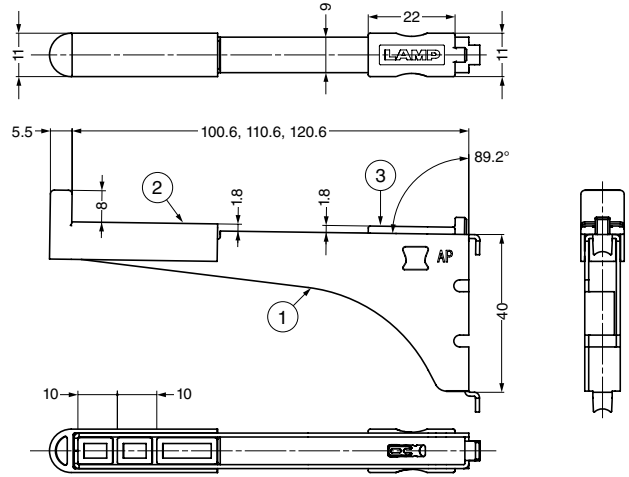
- Used in pairs.
- Holds shelves in place firmly and prevents slippage.
- Adjustable to 3 different lengths.
- Raised ends prevent shelves from detaching or falling off.
- Can also be used on glass.

Remarks

- Maximum size of shelf board: Width 900 mm x 120 mm.
- Load capacity of below table is included the weight of the shelf board.



Depth is adjustable in 3 different positions.



Item Code	Item Name	Load Capacity N / 2 pcs	Load Capacity kgf / 2 pcs	Weight
120-032-997	AP-FB120	49 N	5 kgf	33 g

No.	Parts Name	Material	Finish/Colour
①	Body	Stainless (SUS430)	Satin
②	Holder	Polypropylene (PP)	White
③	Stopper	Polypropylene (PP)	White

SHELF HOLDER WITH ANGLE ADJUSTING FUNCTION

AP-FK20



Features

- Stepless angle adjustment.
- For SPE-FB20S (P.174) and AP-FB20 (P.176).

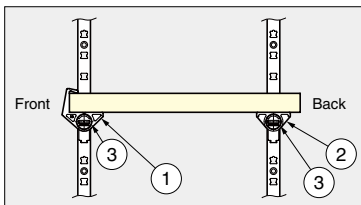
Remarks

Sold in sets (① 2 pcs, ② 2 pcs, ③ AP-FK20C 4 pcs).

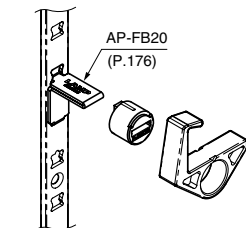
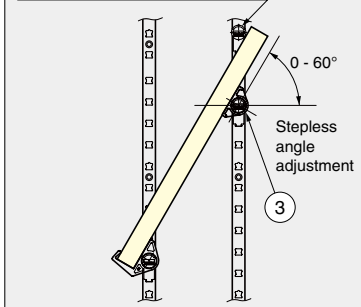
Sold Separately: Extra Dowel

Dowel AP-FK20C (P.177) is sold separately for additional use.

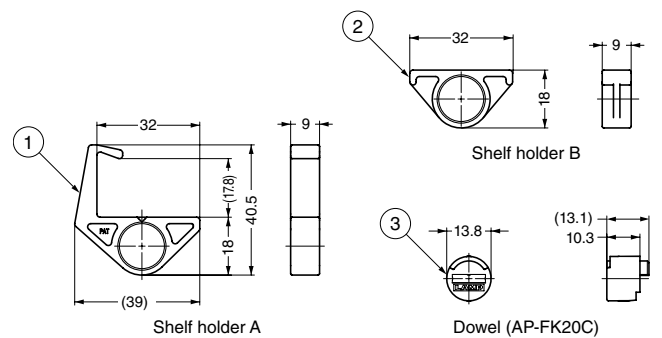
Installation



Recommended to use extra dowels
③ AP-FK20C (Sold separately)



Application Example



No.	Part Name	Colour	Material
①	Shelf Holder A	White	Polyacetal (POM)
②	Shelf Holder B	White	Polyacetal (POM)
③	Dowel	White	Polyethylene (PE)

Item Code	Item Name	Door Thickness	Load Capacity	Weight	Box
120-024-536	AP-FK20	18 - 20	98 N 10 kgf	20 g	200 sets

*AP-FK20x2 pcs./Angle: 60°