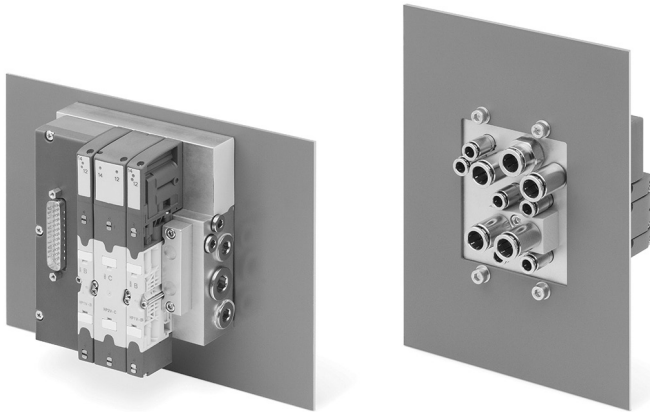


# Series HC valve island Cabinet version



Multipole connection with 25 or 37 pins  
Valve functions: 2x2/2, 2x3/2, 5/2, 5/3 CC



- » Valve flow: 400 and 700 NL/min
- » Subbases: from 4 to 32 positions for valve size 10.5mm, from 2 to 16 positions for valve size 21mm
- » Same subbase for both sizes
- » Rear pneumatic outlets
- » Interface seal with the internal part of the Cabinet

In applications which are subject to washing or operate in particularly dirty environments, having a specific solution represents a distinct advantage. With the Series HC it is possible to exploit the subbase and relative perimetric seal to close the passage window of all tubings. In this way the external environment is isolated from the internal part of the cabinet, guaranteeing a high protection level against solid and liquid particles that, upon entering, may damage the components.

All pneumatic connections are immediately available avoiding operations for the installation of panel mount fittings. Series HC uses the same valve functions as those available in Series HN.

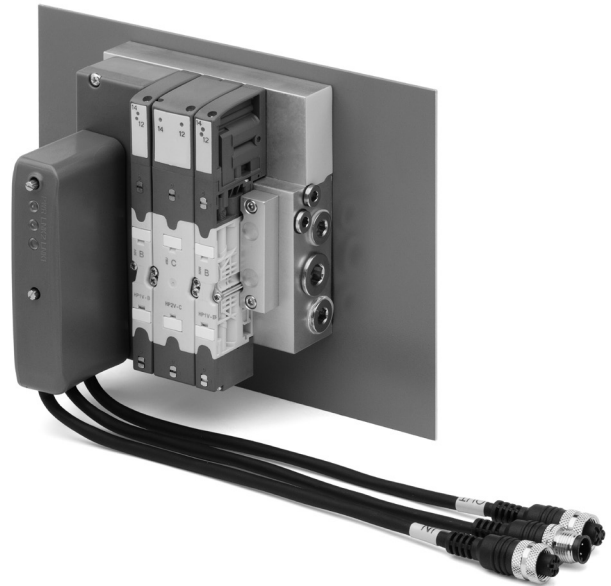
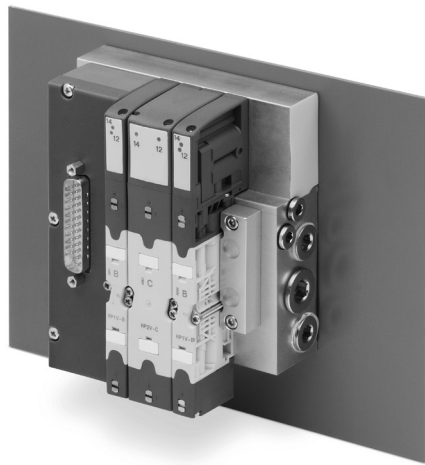
Thanks to a particularly flexible use of the valve positions, different configurations can be realized (further details can be found on the following pages regarding the correct management of electrical signals).

**GENERAL DATA**

SERIES HC VALVE ISLANDS

| PNEUMATIC SECTION                      |  |
|--|--|
| <b>Valve construction</b>              | spool with seals   |
| <b>Valve functions</b>                 | 5/2 monostable and bistable<br>5/3 CC<br>2 x 2/2 NO<br>2 x 2/2 NC<br>1 x 2/2 NC+ 1 x NO<br>2 x 3/2 NC<br>2 x 3/2 NO<br>1 x 3/2 NC+ 1 x 3/2 NO  |
| <b>Materials</b>                       | spool in aluminium<br>spool seals in HNBR<br>other seals in NBR<br>cartridges in brass<br>body and end covers in technopolymer<br>subbases in aluminium  |
| <b>Connections</b>                     | Inlets 2 and 4, size 10.5mm: M7, tube Ø 4, tube Ø 6<br>Inlets 2 and 4, size 21mm: G1/4, tube Ø 6, tube Ø 8, tube Ø 10<br><br>Supply 1: G3/8, tube Ø 8, tube Ø 10, tube Ø 12<br>Supply 12/14: M7, tube Ø 6 (6512 6-M7-M)<br><br>Exhausts 3 and 5: G1/4, tube Ø 10 (6512 10-1/4-M)<br>Exhausts 82/84: M7, silencer (2931 M7)   |
| <b>Temperature</b>                     | 0 ÷ 50°C   |
| <b>Air specifications</b>              | Filtered compressed air, non lubricated, class 6.4.4 according to ISO 8573-1:2010.<br>If lubrication is necessary, please only use oils with maximum viscosity of 32 Cst and the version with external servo-pilot supply.<br>The servo-pilot supply air quality class must be 6.4.4 according to ISO 8573-1:2010 (do not lubricate).  |
| <b>Valve sizes</b>                     | 10.5mm<br>21mm   |
| <b>Working pressure</b>                | -0.9 ÷ 10 bar  |
| <b>Pilot pressure</b>                  | 3 ÷ 7 bar<br>4.5 ÷ 7 bar (with working pressure exceeding 6 bar for the versions 2x2/2 and 2x3/2)  |
| <b>Flow rate</b>                       | 400 Nl/min (10.5mm)<br>700 Nl/min (21mm)   |
| <b>Mounting position</b>               | any position   |
| <b>Protection class</b>                | IP 65  |
| ELECTRICAL SECTION                     |  |
| <b>Type of Sub-D connector</b>         | 25 or 37 pins  |
| <b>Max. absorption</b>                 | 0.8 A (with Sub-D connector 25 pins)<br>1 A (with Sub-D connector 37 pins)   |
| <b>Supply voltage</b>                  | 24 V DC +/-10%   |
| <b>Max. number of coils to operate</b> | Size 10.5mm: 24 coils on 12 valve positions (with Sub-D connector 25 pins)<br>32 coils on 32 valve positions (with Sub-D connector 37 pins)<br>Size 21mm: 24 coils on 6 valve positions (with Sub-D connector 25 pins)<br>32 coils on 16 valve positions (with Sub-D connector 37 pins)<br><br>Sizes 10.5 mm and 21 mm simultaneously<br>(further details can be found on the following pages<br>the correct management of electrical signals) |
| <b>Valve signalling</b>                | yellow led   |

**MULTIPOLE VERSION and MULTIPOLE WITH SUB-D ADAPTOR VERSION**

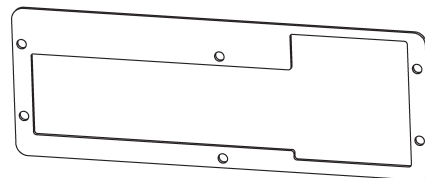
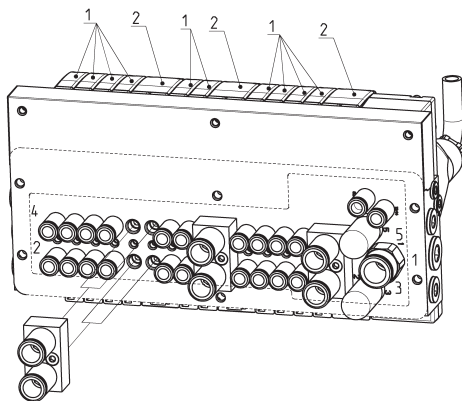


The Series HC can be connected in a quick and secure way thanks to the multipole electrical connection and to the pre-wired cable with 25 or 37 pins with in-line or angular connection.

The multipole valve island can be integrated in a serial structure managed by the Series CX multi-serial module.

SERIES HC VALVE ISLANDS

**SUBBASE CHARACTERISTICS**



All the pneumatic connections are available on the lower side. The Series HC subbase has all the outlets for valves size 1. To use the major flow of valve size 2, a specific interface is used which joints the two outlets "2" and "4" of size 1 together into a single outlet "2" and "4" of size 2. This allows to use the same subbase regardless of valve size.

A specific seal can be placed on this side, thus allowing to isolate the internal part of the Cabinet as well as the components inside from the external environment. The solution is particularly useful in presence of liquid substances, as for example in the Food & Beverage sector and in the process industry. The valves can be placed as desired in any position. In case it is necessary to optimize the electric signals, we would recommend initially installing valves size 1 with two solenoids.

**CODING EXAMPLE - MULTIPOLE VERSION**

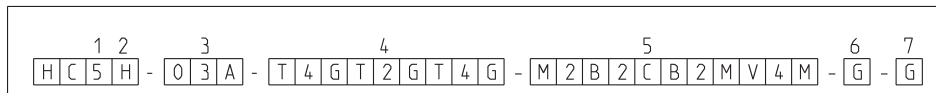
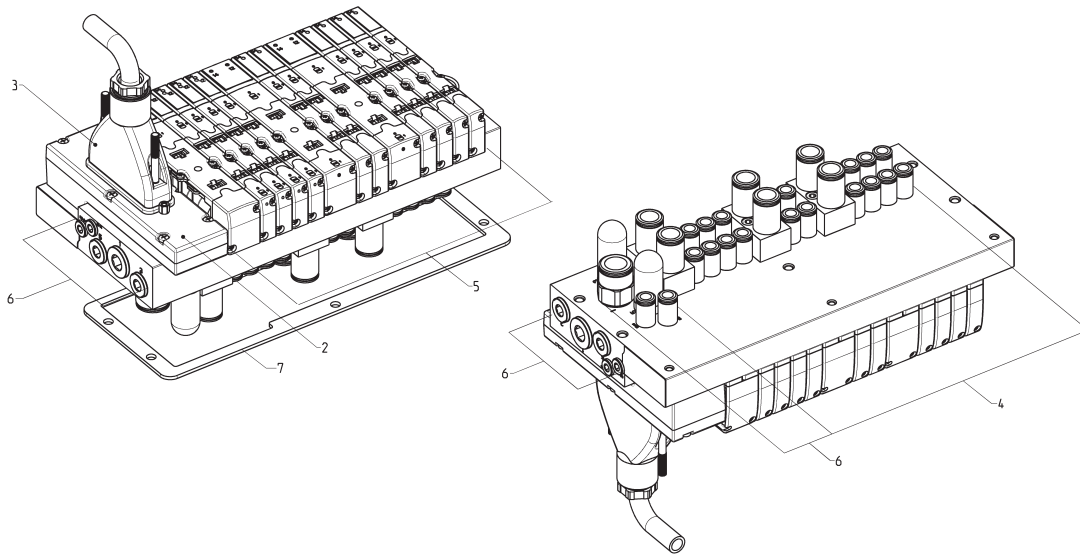
|           |          |          |          |            |          |                  |          |                   |          |          |
|-----------|----------|----------|----------|------------|----------|------------------|----------|-------------------|----------|----------|
| <b>HC</b> | <b>5</b> | <b>H</b> | <b>-</b> | <b>03A</b> | <b>-</b> | <b>T4GT2GT4G</b> | <b>-</b> | <b>MB2C2B3V4M</b> | <b>-</b> | <b>G</b> |
|-----------|----------|----------|----------|------------|----------|------------------|----------|-------------------|----------|----------|

|                   |   |  |  |
|-------------------|---|--|--|
| <b>HC</b>         | SERIES  |  |  |
| <b>5</b>          | SIZE:<br>1 = 10.5<br>2 = 21<br>5 = Mixed  |  |  |
| <b>H</b>          | ELECTRICAL CONNECTION:<br>M = Multipole 25 pin PNP<br>H = Multipole 37 pin PNP  |  |  |
| <b>03A</b>        | CONNECTION:<br>000 = without connector/cable  | CONNECTOR WITH CABLE AXIAL OUTPUT:<br>03A = 3m<br>05A = 5m<br>10A = 10m<br>15A = 15m<br>20A = 20m<br>25A = 25m             | CONNECTOR WITHOUT CABLE:<br>4XA = 25 pins axial<br>4XR = 25 pins radial<br>9XA = 37 pins axial<br>9XR = 37 pins radial   |
|                   |   | CONNECTOR WITH CABLE RADIAL OUTPUT:<br>03R = 3m<br>05R = 5m<br>10R = 10m<br>15R = 15m<br>20R = 20m<br>25R = 25m            |  |
| <b>T4GT2GT4G</b>  | VALVE DIMENSION AND TYPE OF CONNECTION:<br>Size 1<br>F = M7 threads<br>G = with fittings for tube $\varnothing$ 4<br>L = with fittings for tube $\varnothing$ 6   |  | Size 2<br>M = G1/4 threads<br>N = with fittings for tube $\varnothing$ 6<br>P = with fittings for tube $\varnothing$ 8<br>T = with fittings for tube $\varnothing$ 10  |
| <b>MB2C2B3V4M</b> | SOLENOID VALVES<br>Size 1 and 2:<br>M = 5/2 Monostable<br>B = 5/2 Bistable<br>V = 5/3 CC<br>C = 2 x 3/2 NC<br>A = 2 x 3/2 NO<br>G = 1 x 3/2 NC + 1 x 3/2 NO<br>E = 2 x 2/2 NC<br>F = 2 x 2/2 NO<br>I = 1 x 2/2 NC + 1 x 2/2 NO<br>L = free position |  | SOLENOID VALVE + PRESSURE REGULATOR<br>on channel 1, Size 2:<br>N = 5/2 Monostable<br>P = 5/2 Bistable<br>Q = 5/3 CC<br>R = 2 x 3/2 NC<br>S = 2 x 3/2 NO<br>T = 1 x 3/2 NC + 1 x 3/2 NO<br>U = 2 x 2/2 NC<br>X = 2 x 2/2 NO<br>Y = 1 x 2/2 NC + 1 x 2/2 NO |
| <b>G</b>          | CONNECTIONS:  |  |  |
|                   | Internal servo-pilot<br>Internal servo-pilot and silencers<br>External servo-pilot<br>External servo-pilot and silencers  | Supply fitting (1)<br>Thread $\varnothing$ 8 $\varnothing$ 10 $\varnothing$ 12<br>A E I P<br>- G M R<br>B F L Q<br>- H N S |  |
|                   | If the connection on the right side only, add X at the end of the code.<br>For example: GX (Internal servo-pilot, silencers, fitting tube $\varnothing$ 8)  | If the connection on the left side only, add K at the end of the code.<br>For example: GK                                  | If the connection is on both sides, add W at the end of the code.<br>For example: GW   |
|                   | The connections on the sides that are not used are equipped with closing taps.  | A and B versions are equipped with taps on the left side and on the right one.   |  |

SERIES HC VALVE ISLANDS

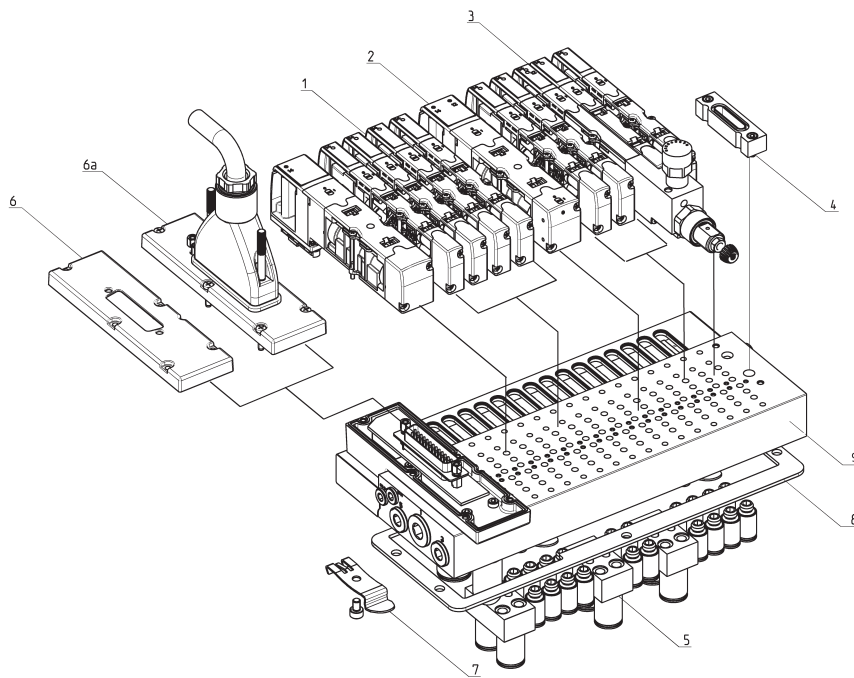
In presence of identical consequent codes both for the subbases as for the valves you need to substitute the letter with the number.  
Ex: HC5H-03A-TGGGGTGTGGGG-MBCCBBVVV-G is converted to HC5H-03A-T4GT2GT4G-MB2C2B3V-G.

**CODING - MULTIPOLE VERSION**



| HC       |                           |                |   |   |   |                 |
|----------|---------------------------|----------------|---|---|---|-----------------|
| SIZE (1) | ELECTRICAL CONNECTION (2) | CONNECTION (3) | VALVE DIMENSION and CONNECTION Size 1 (4) | SOLENOID VALVES Size 1 and 2 (5)                      | CONNECTIONS / SERVO PILOT Threaded (low side) (6)       | ACCESSORIES (7) |
| 1        | M                         | 000            | F   | M   | A   | G               |
| 2        | H                         | 03A            | G   | B   | B   |                 |
| 5        |                           | 05A            | L   | V   | CONNECTIONS / SERVO PILOT Fittings tube Ø 8 (low side)  |                 |
|          |                           | 10A            | VALVE DIMENSION and CONNECTION Size 2     | C   | E   |                 |
|          |                           | 15A            | M   | A   | F   |                 |
|          |                           | 20A            | N   | G   | G   |                 |
|          |                           | 25A            | P   | E   | H   |                 |
|          |                           | 03R            | T   | F   | CONNECTIONS / SERVO PILOT Fittings tube Ø 10 (low side) |                 |
|          |                           | 05R            |   | I   | I   |                 |
|          |                           | 10R            |   | L   | L   |                 |
|          |                           | 15R            |   | SOLENOID VALVE + PRESSURE REGULATOR channel 1, size 2 | M   |                 |
|          |                           | 20R            |   | N   | N   |                 |
|          |                           | 25R            |   | P   | CONNECTIONS / SERVO PILOT Fittings tube Ø 12 (supply)   |                 |
|          |                           | 4XA            |   | Q   | P   |                 |
|          |                           | 4XR            |   | R   | Q   |                 |
|          |                           | 9XA            |   | S   | R   |                 |
|          |                           | 9XR            |   | T   | S   |                 |
|          |                           | CXA            |   | U   | See the notes at the end of the coding example          |                 |
|          |                           |                |   | X   |   |                 |
|          |                           |                |   | Y   |   |                 |

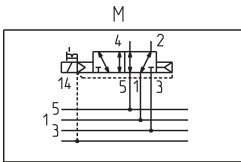
**MULTIPOLE version - COMPONENTS**



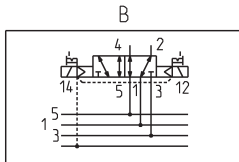
**COMPONENTS**

|    |   |
|----|---|
| 1  | Solenoid valve size 1 (10.5 mm)         |
| 2  | Solenoid valve size 2 (21 mm)           |
| 3  | Valve size 2 with pressure regulator    |
| 4  | Plate for internal/external servo pilot |
| 5  | Outlet interface for valves size 2      |
| 6  | Multipole electric cover 25 pins        |
| 6a | Multipole electric cover 37 pins        |
| 7  | Mounting bracket for DIN rail           |
| 8  | Interface seal                          |
| 9  | Subbase                                 |

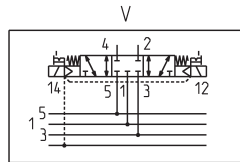
**AVAILABLE FUNCTION - SYMBOLS FOR SOLENOID VALVES**



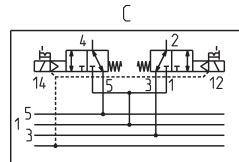
M = 5/2-way, Monostable



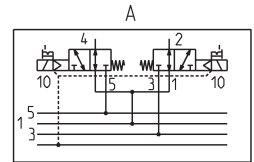
B = 5/2-way, Bistable



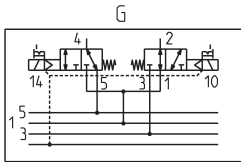
V = 5/3-way Centres Closed



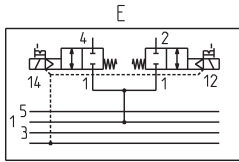
C = 2 x 3/2-way NC



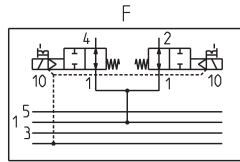
A = 2 x 3/2-way NO



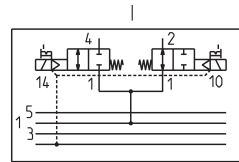
G = 1 x 3/2-way NC +  
1 x 3/2-way NO



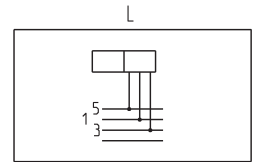
E = 2 x 2/2-way NC



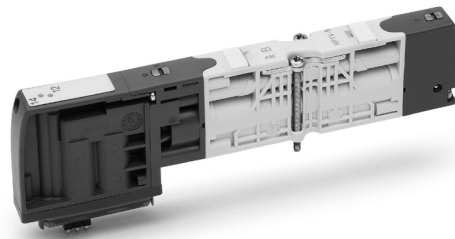
F = 2 x 2/2-way NO



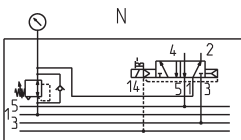
I = 1 x 2/2-way NC +  
1 x 2/2-way NO



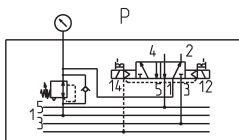
L = free position



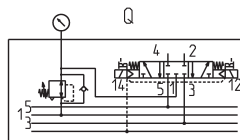
**AVAILABLE FUNCTIONS - SYMBOLS FOR SOLENOID VALVES WITH PRESSURE REGULATOR**



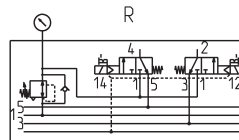
N = 5/2-way, Monostable



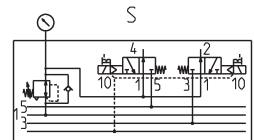
P = 5/2-way, Bistable



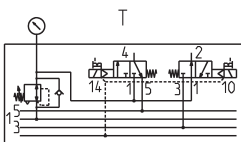
Q = 5/3-way Centres Closed



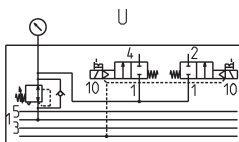
R = 2 x 3/2-way NC



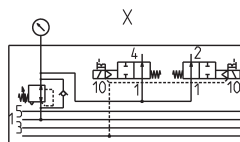
S = 2 x 3/2-way NO



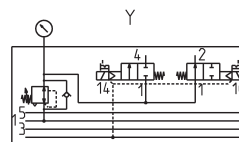
T = 1 x 3/2-way NC +  
1 x 3/2-way NO



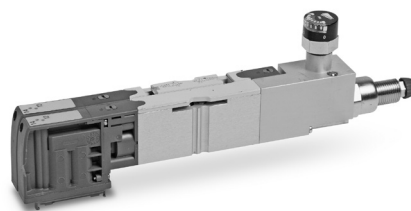
U = 2 x 2/2-way NC



X = 2 x 2/2-way NO

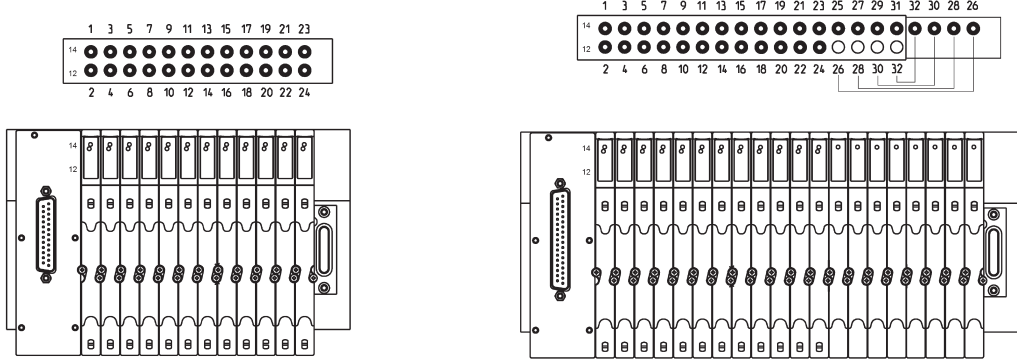


Y = 1 x 2/2-way NC +  
1 x 2/2-way NO



**CORRECT MANAGEMENT OF ELECTRICAL SIGNALS - SIZE 10.5mm**

- = (A)
- = (B)
- ⊗ = (C)



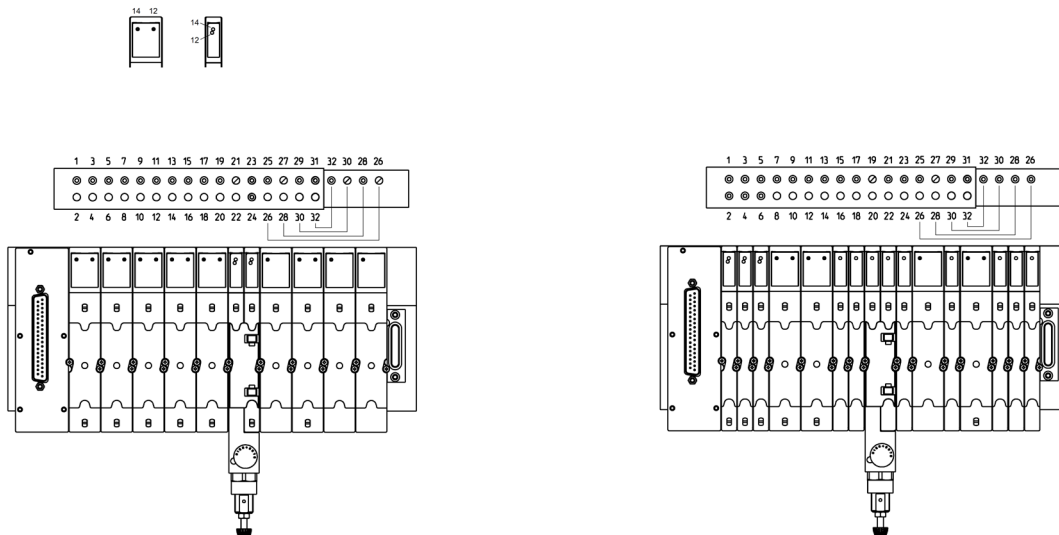
- A = free pin
- B = pin used to control the solenoid
- C = pin not usable
- 12 14 = solenoid position

25-pin connector: 24 signals usable and available on a max of 12 valve positions size 1. The 12 pos. can be freely configured between the solenoids in the first positions. Signals that are not necessary to control the valves size 2 occupy 2 pos. size 1.

37-pin connector: 32 signals can be freely used up to a max of 16 valve positions, bistable or monostable size 1. To make the best of electrical signals, it is necessary to use valves with two solenoids in the first positions. Signals that are not necessary to control the valves are not lost but can be used on the internal expansion board (see pins 32/30/28/26 in the above example).

**CORRECT MANAGEMENT OF ELECTRICAL SIGNALS - SIZE 21mm**

- = (A)
- = (B)
- ⊗ = (C)



- A = free pin
- B = pin used to control the solenoid
- C = pin not usable
- 12 14 = solenoid position

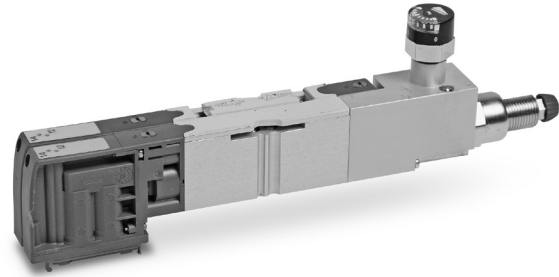
37-pin connector: with valves size 2, 32 signals can be used up to a max of 16 valve positions, bistable or monostable.

The valve size 2 doesn't need commands with even numbers (of pins) placed in the lower part of the board. These can be used in the expansion board, thus allowing the realization of valve islands consisting of up to 16 valves. Of valves with two solenoids are not grouped in the initial positions, the possibility to expand is reduced. In the above example, signals in the example signals placed before the pin 26 cannot be used in the expansion board.

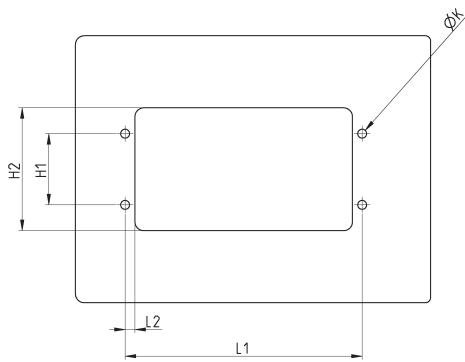


**Valve with integrated pressure regulator HP2V-...**

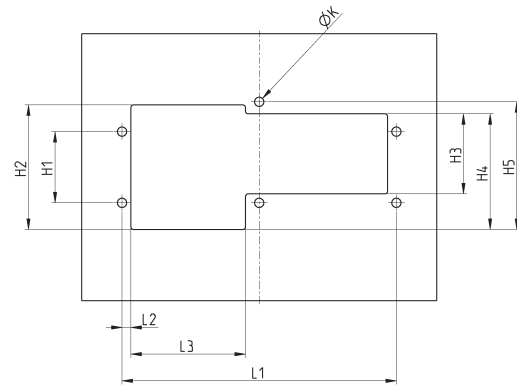
This solution has the advantage of reducing the valve island's overall height compared to traditional "sandwich" solutions. The pressure regulator allows to set the supply pressure of the lateral valve.



**SIZE AND SHAPE OF THE PASSAGE WINDOW**



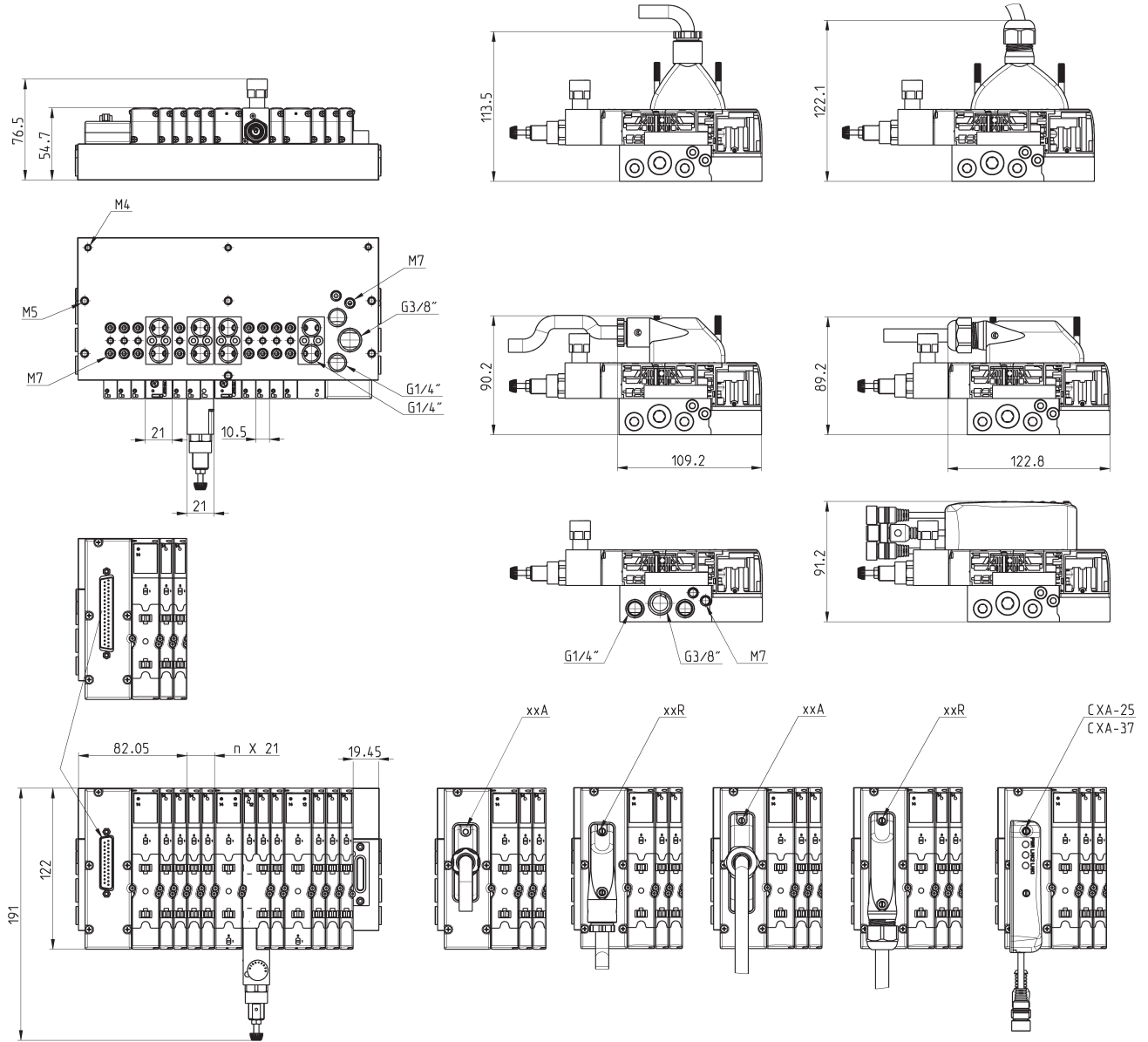
VALVE ISLANDS FROM 4 TO 8 PLACES



VALVE ISLANDS FROM 10 TO 16 PLACES

| Nr of PLACES | H1 | H2 | L1    | L2 | ØK | Nr of PLACES | H1 | H2 | H3 | H4 | H5   | L1    | L2 | L3   | ØK |
|--------------|----|----|-------|----|----|--------------|----|----|----|----|------|-------|----|------|----|
| 4            | 40 | 70 | 91.5  | 5  | 5  | 10           | 40 | 70 | 45 | 65 | 71.7 | 154.5 | 5  | 64.5 | 5  |
| 6            | 40 | 70 | 112.5 | 5  | 5  | 12           | 40 | 70 | 45 | 65 | 71.7 | 175.5 | 5  | 64.5 | 5  |
| 8            | 40 | 70 | 133.5 | 5  | 5  | 14           | 40 | 70 | 45 | 65 | 71.7 | 196.5 | 5  | 64.5 | 5  |
|              |    |    |       |    |    | 16           | 40 | 70 | 45 | 65 | 71.7 | 217.2 | 5  | 64.5 | 5  |

**MULTIPOLE version 25 and 37 pin - DIMENSIONS**



**CODING EXAMPLE OF SINGLE VALVE (Spare part)**

|          |  |          |  |          |          |
|----------|--|----------|--|----------|----------|
| <b>H</b> | <b>P</b>   | <b>1</b> | <b>V</b>   | <b>-</b> | <b>M</b> |
| <b>H</b> | SERIES   |          |  |          |          |
| <b>P</b> | TYPE:<br>P = pneumatic   |          |  |          |          |
| <b>1</b> | SIZE:<br>1 = 10,5<br>2 = 21  |          |  |          |          |
| <b>V</b> | TYPE OF ACCESSORY:<br>V = Solenoid valve   |          |  |          |          |
| <b>M</b> | SOLENOID VALVE:<br>M = 5/2 Monostable<br>B = 5/2 Bistable<br>V = 5/3 Centres Closed<br>C = 2 x 3/2 NC<br>A = 2 x 3/2 NO<br>G = 1 x 3/2 NC + 1 x 3/2 NO<br>E = 2 x 2/2 NC<br>F = 2 x 2/2 NO<br>I = 1 x 2/2 NC + 1 x 2/2 NO<br>L = free position |          | SOLENOID VALVE + REGULATOR + SUBBASE<br>N = 5/2 Monostable<br>P = 5/2 Bistable<br>Q = 5/3 Centres Closed<br>R = 2 x 3/2 NC<br>S = 2 x 3/2 NO<br>T = 1 x 3/2 NC + 1 x 3/2 NO<br>U = 2 x 2/2 NC<br>X = 2 x 2/2 NO<br>Y = 1 x 2/2 NC + 1 x 2/2 NO |          |          |

SERIES HC VALVE ISLANDS

**CODING EXAMPLE OF SUBBASES - Accessories**

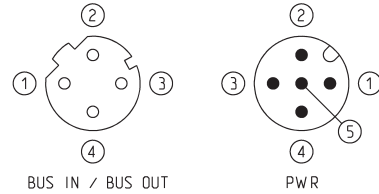
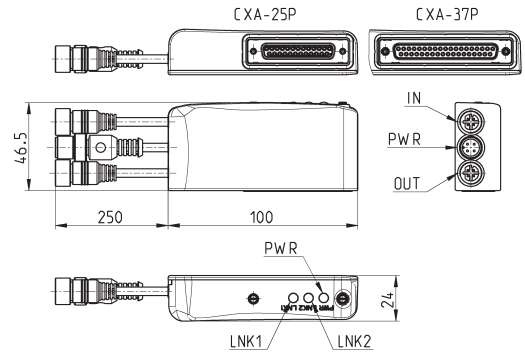
|           |   |          |          |          |           |
|-----------|---|----------|----------|----------|-----------|
| <b>HC</b> | <b>A</b>  | <b>1</b> | <b>R</b> | <b>-</b> | <b>10</b> |
| <b>HC</b> | SERIES  |          |          |          |           |
| <b>A</b>  | TYPE:<br>A = accessories  |          |          |          |           |
| <b>1</b>  | SIZE:<br>1 = 10,5   |          |          |          |           |
| <b>R</b>  | TYPE OF ACCESSORY:<br>R = subbase for multipole connection<br>G = seal  |          |          |          |           |
| <b>10</b> | VALVE POSITIONS:<br>4 = 4<br>6 = 6<br>8 = 8<br>10 = 10<br>12 = 12<br>14 = 14<br>16 = 16<br>20 = 20<br>24 = 24<br>28 = 28<br>32 = 32 |          |          |          |           |

**Sub-D adaptor module 25 and 37 pin Mod. CXA-25P and CXA-37P**



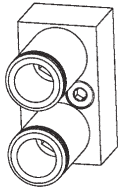
It is an Expansion module of the subnet and can be connected to all valve islands with Sub-D connection. In the 25 pin version, it can manage up to a maximum of 24 outputs, while with 37 pin version, the outputs become 32. It has its own M12 A 4 pin male connection for the supply of the valves connected, distinguishing both logic supply and power supply and two M12 D 4 pin female connections for the Bus-IN and Bus-OUT of the subnet. The subnet can have a length of maximum 100 metres. The power of a single Output is 3 W to 24 V DC. Thanks to the PWM technique it is possible to set a power reduction to only maintain operation.

Led 1 = Yellow LNK1  
Led 2 = Yellow LNK2  
Led 3 = Green PWR, supply present and OK

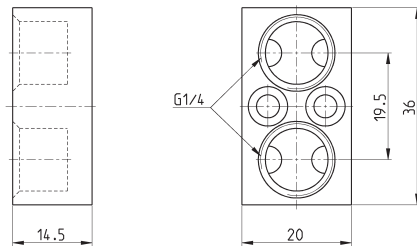


| Mod.    | Interface        | Digital Outs | Bus-IN connection | Bus-OUT connection | PWR connection  | Supply  | Power for every Output |
|---------|------------------|--------------|-------------------|--------------------|-----------------|---------|------------------------|
| CXA-25P | Sub-D 25 pin     | 24           | M12D 4 pin female | M12D 4 pin female  | M12A 4 pin male | 24 V DC | 3 W                    |
| CXA-37P | Sub-D 37 broches | 32           | M12D 4 pin female | M12D 4 pin female  | M12A 4 pin male | 24 V DC | 3 W                    |

**Interface for valve outlets size 10.5mm**



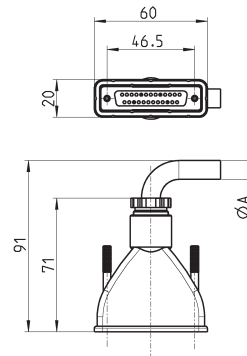
Supplied with:  
1x interface  
2x M4 screws  
4x O-rings



Mod.  
**HC-M7-1/4**

### Straight Sub-D 25 pin female connector with axial cable

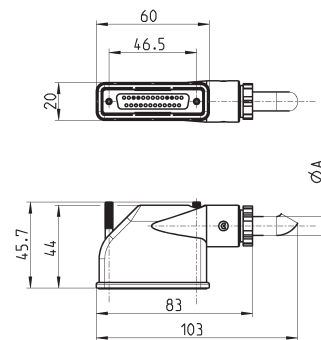
Protection class IP65



| Mod.   | øA  | PIN | cable length (m) |
|--------|-----|-----|------------------|
| G3X-3  | 7.7 | 16  | 3                |
| G3X-5  | 7.7 | 16  | 5                |
| G3X-10 | 7.7 | 16  | 10               |
| G3X-15 | 7.7 | 16  | 15               |
| G3X-20 | 7.7 | 16  | 20               |
| G3X-25 | 7.7 | 16  | 25               |
| G4X-3  | 9   | 25  | 3                |
| G4X-5  | 9   | 25  | 5                |
| G4X-10 | 9   | 25  | 10               |
| G4X-15 | 9   | 25  | 15               |
| G4X-20 | 9   | 25  | 20               |
| G4X-25 | 9   | 25  | 25               |

### Right angle Sub-D 25 pin female connector with radial cable

Protection class IP65

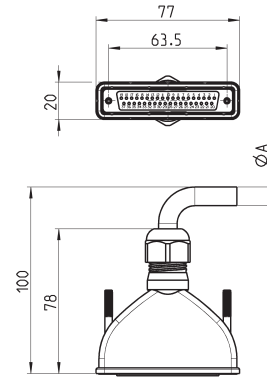


| Mod.    | øA  | PIN | cable length (m) |
|---------|-----|-----|------------------|
| G3X1-3  | 7.7 | 16  | 3                |
| G3X1-5  | 7.7 | 16  | 5                |
| G3X1-10 | 7.7 | 16  | 10               |
| G3X1-15 | 7.7 | 16  | 15               |
| G3X1-20 | 7.7 | 16  | 20               |
| G3X1-25 | 7.7 | 16  | 25               |
| G4X1-3  | 10  | 25  | 3                |
| G4X1-5  | 10  | 25  | 5                |
| G4X1-10 | 10  | 25  | 10               |
| G4X1-15 | 10  | 25  | 15               |
| G4X1-20 | 10  | 25  | 20               |
| G4X1-25 | 10  | 25  | 25               |

### Straight Sub-D 37 pin female connector with axial cable



Protection class IP65

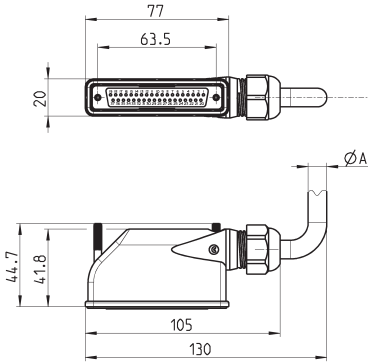


| Mod.   | $\varnothing A$ | PIN | cable length (m) |
|--------|-----------------|-----|------------------|
| G9X-3  | 12              | 37  | 3                |
| G9X-5  | 12              | 37  | 5                |
| G9X-10 | 12              | 37  | 10               |
| G9X-15 | 12              | 37  | 15               |
| G9X-20 | 12              | 37  | 20               |
| G9X-25 | 12              | 37  | 25               |

### Right angle Sub-D 37 pin female connector with radial cable



Protection class IP65

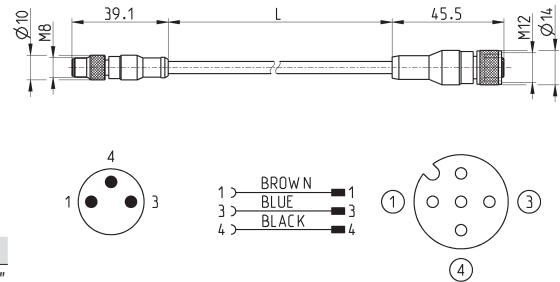


| Mod.    | $\varnothing A$ | PIN | cable length (m) |
|---------|-----------------|-----|------------------|
| G9X1-3  | 12              | 37  | 3                |
| G9X1-5  | 12              | 37  | 5                |
| G9X1-10 | 12              | 37  | 10               |
| G9X1-15 | 12              | 37  | 15               |
| G9X1-20 | 12              | 37  | 20               |
| G9X1-25 | 12              | 37  | 25               |

### Adapter cable, M8 3-pin male - M12 4-pin female



Protection class: IP69K



| Mod.           | description                          | max voltage     | max current | Nr conn. wires | connections                    | outer sheath | cable "L" (m) |
|----------------|--------------------------------------|-----------------|-------------|----------------|--------------------------------|--------------|---------------|
| CS-AG03HB-C250 | 3-pin cable 24 AWG, high flexibility | 50V AC / 60V DC | 3 A         | 3              | M8 3-pin male - M12 4-pin fem. | PUR black    | 2.5           |
| CS-AG03HB-C500 | 3-pin cable 24 AWG, high flexibility | 50V AC / 60V DC | 3 A         | 3              | M8 3-pin male - M12 4-pin fem. | PUR black    | 5             |