

Series 1, 3, 4 and VMS manually operated valves

Series 1, 3 and 4: 3/2-, 5/2- and 5/3-way CC, CO; ports G1/8, G1/4
 Series VMS: 3/2-way; ports M5, G1/8, G1/4, G3/8, G1/2 and G3/4



Series 3 manual valves (G1/8) and Series 4 (G1/4), 3/2-, 5/2- and 5/3-way, are available with several devices designed to satisfy different needs. Series 1 is provided with two devices: pushbutton (3/2-way) and lever (3/2 and 5/2-way). Series VMS valves are 3/2-way slide valves which are available with ports M5, G1/8, G1/4, G3/8, G1/2 and G3/4.

The 3/2-way valves Series 3 and 4 are normally closed when 1 is the inlet and they can also be normally open when 3 is the inlet.

Series 3 and 4 5/2-way valves can be supplied via ports 3 and 5 with two different pressures, if a cylinder has to be operated using a delivery pressure which is different from the return pressure.

GENERAL DATA

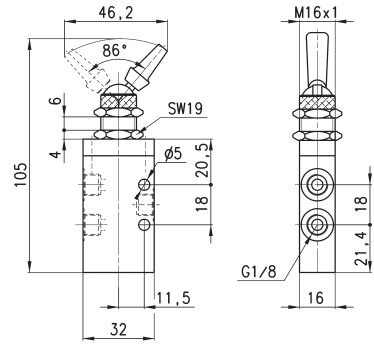
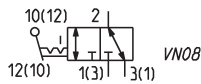
Construction	Series 3 and 4: spool-type Series 1: poppet-type Series VMS: slide
Function	Series 1, 3 and 4: 3/2 - 5/2 - 5/3 ways CC CO Series VMS: 3/2-way
Materials	aluminium body, stainless steel spool, brass poppet, NBR seals
Ports	Series 1, 3 and 4: G1/8, G1/4 Series VMS: M5, G1/8, G1/4, G3/8, G1/2, G3/4
Ambient temperature	0°C + 60°C
Medium temperature	0°C + 50°C
Operating pressure	see the single models
Fluid	Filtered air, without lubrication. If lubricated air is used, it is recommended to use ISO VG32 oil. Once applied the lubrication should never be interrupted.

SERIES 1, 3, 4 CODING EXAMPLE

3	3	8	-	900
----------	----------	----------	----------	------------

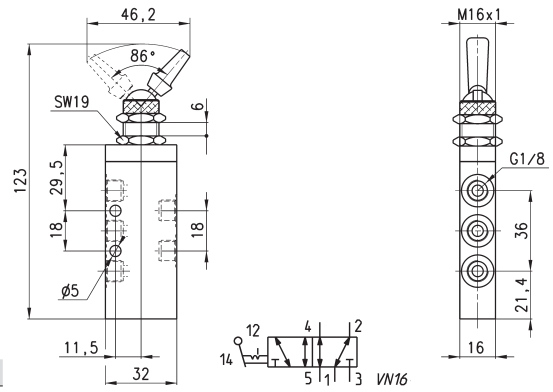
3	<p>SERIES:</p> <p>1 3 4</p>
5	<p>FUNCTION:</p> <p>3 = 3/2-way NC 5 = 5/2-way 6 = 5/3-way CC 7 = 5/3-way CO</p>
8	<p>PORTS:</p> <p>8 = G1/8 4 = G1/4</p>
900	<p>RESETTING:</p> <p>895 = pushbutton, monostable, black 896 = pushbutton, monostable, green 897 = pushbutton, monostable, red 900 = lever, bistable 905 = lever, monostable 910 = knob, bistable 915 = knob, monostable 935 = digital monostable 975 = palm-switch, monostable, black 976 = palm-switch, monostable, green 977 = palm-switch, monostable, red 990 = switch, bistable</p>

Valve Mod. 338-990



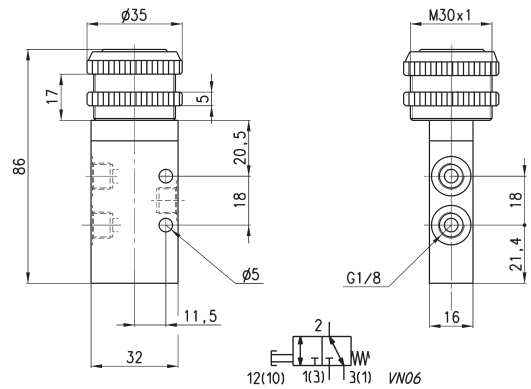
Mod.	Operating pressure (bar)	Flow (Nl/min)	Actuating force (N)
338-990	-0.9 + 10	700	18

Valve Mod. 358-990



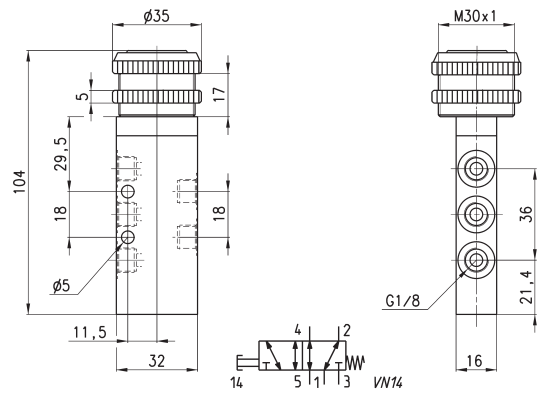
Mod.	Operating pressure (bar)	Flow (NI/min)	Actuating force (N)
358-990	-0.9 + 10	700	18

Valves Mod. 338-89...



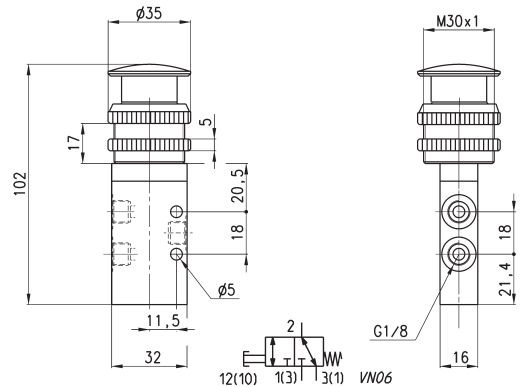
Mod.	Operating pressure (bar)	Flow (NI/min)	Actuating force (N)	Colors
338-895	-0.9 + 10	700	35	Black
338-896	-0.9 + 10	700	35	Green
338-897	-0.9 + 10	700	35	Red

Valves Mod. 358-89...



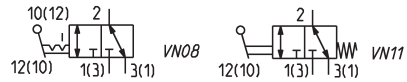
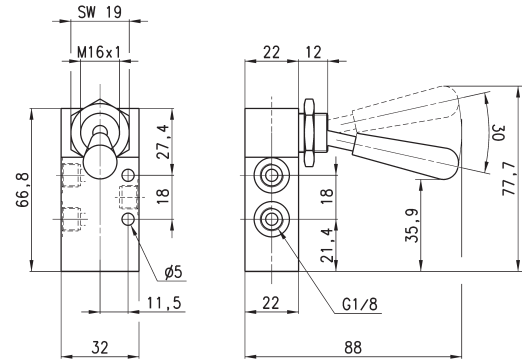
Mod.	Operating pressure (bar)	Flow (NI/min)	Actuating force (N)	Colors
358-895	-0.9 + 10	700	35	Black
358-896	-0.9 + 10	700	35	Green
358-897	-0.9 + 10	700	35	Red

Valves Mod. 338-97...



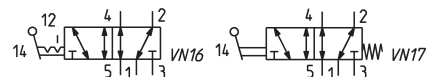
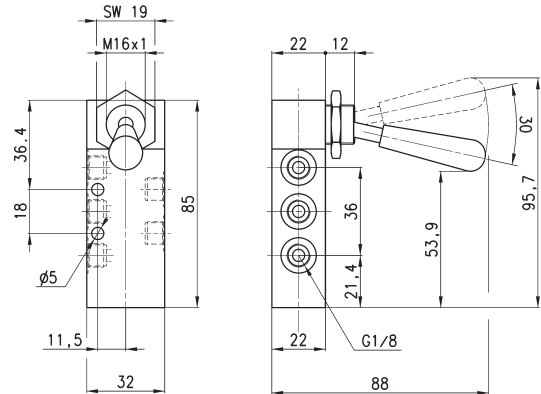
Mod.	Operating pressure (bar)	Flow (NI/min)	Actuating force (N)	Colors
338-975	-0.9 + 10	700	35	Black
338-976	-0.9 + 10	700	35	Green
338-977	-0.9 + 10	700	35	Red

Valves Mod. 338-90...



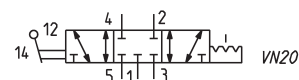
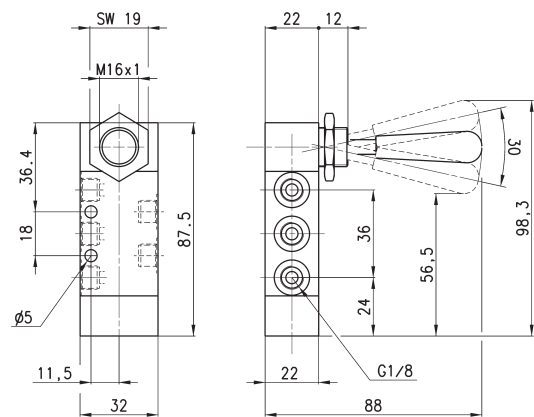
Mod.	Operating pressure (bar)	Flow (NI/min)	Actuating force (N)	Symbol
338-900	-0.9 ÷ 10	700	5	VN08
338-905	-0.9 ÷ 10	700	22	VN11

Valves Mod. 358-90...



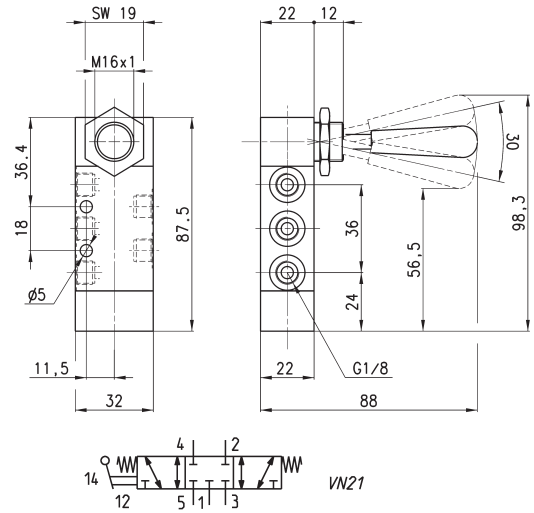
Mod.	Operating pressure (bar)	Flow (NI/min)	Actuating force (N)	Symbol
358-900	-0.9 ÷ 10	700	5	VN16
358-905	-0.9 ÷ 10	700	22	VN17

Valve Mod. 368-900



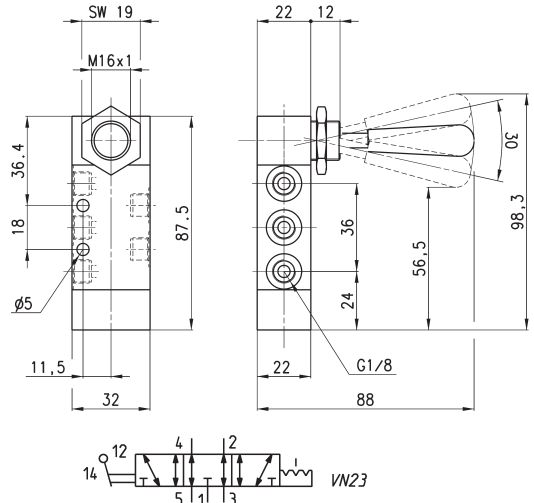
Mod.	Operating pressure (bar)	Flow (NI/min)	Actuating force (N)
368-900	-0.9 ÷ 10	500	5

Valve Mod. 368-905



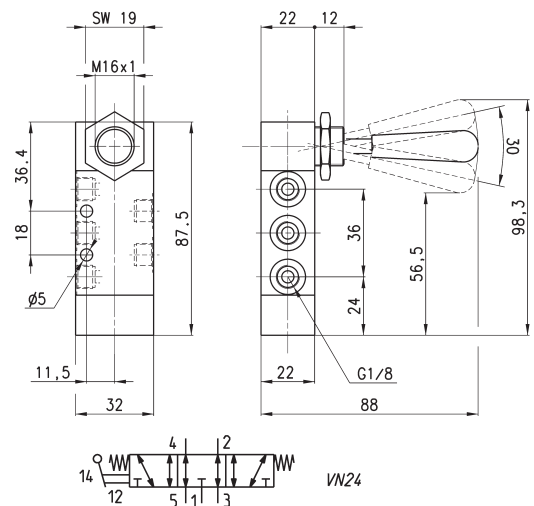
Mod.	Operating pressure (bar)	Flow (Nl/min)	Actuating force (N)
368-905	-0.9 ÷ 10	500	20

Valve Mod. 378-900



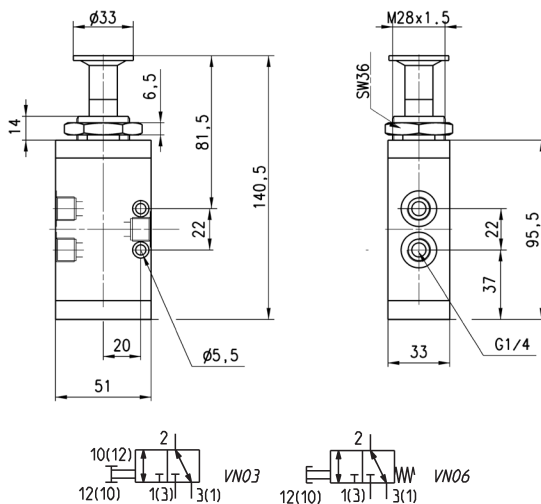
Mod.	Operating pressure (bar)	Flow (Nl/min)	Actuating force (N)
378-900	-0.9 ÷ 10	500	5

Valve Mod. 378-905



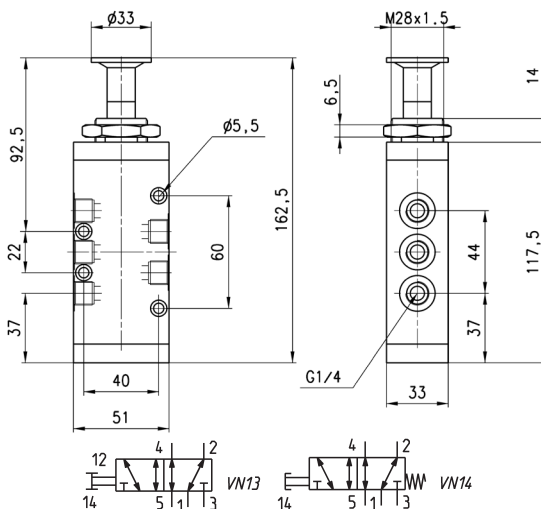
Mod.	Operating pressure (bar)	Flow (Nl/min)	Actuating force (N)
378-905	-0.9 ÷ 10	500	20

Valves Mod. 434-91...



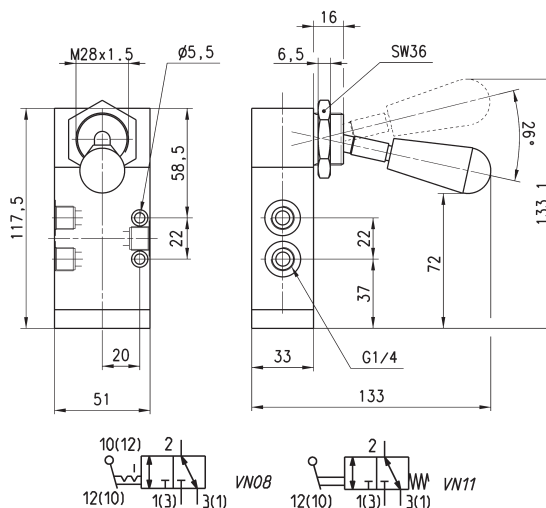
Mod.	Operating pressure (bar)	Flow (NI/min)	Actuating force (N)	Symbol
434-910	-0.9 ÷ 10	1250	10	VN03
434-915	-0.9 ÷ 10	1250	37	VN06

Valves Mod. 454-91...



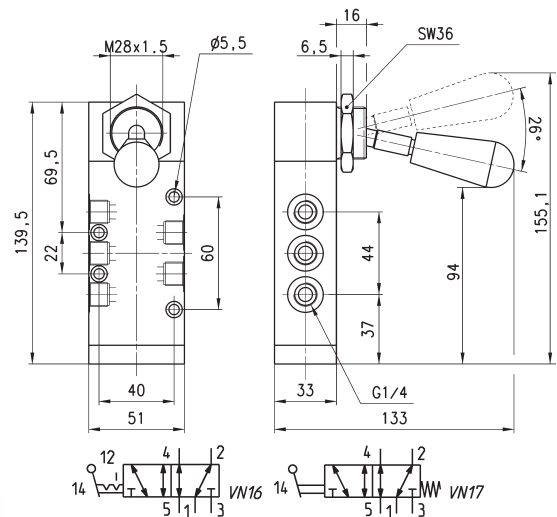
Mod.	Operating pressure (bar)	Flow (NI/min)	Actuating force (N)	Symbol
454-910	-0.9 ÷ 10	1250	10	VN13
454-915	-0.9 ÷ 10	1250	37	VN14

Valves Mod. 434-90...



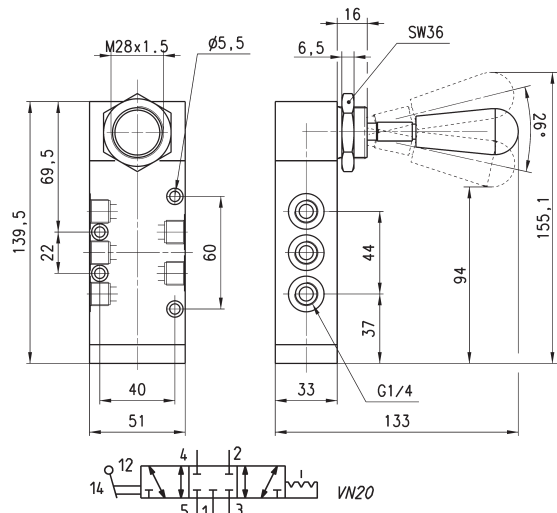
Mod.	Operating pressure (bar)	Flow (NI/min)	Actuating force (N)	Symbol
434-900	-0.9 ÷ 10	1250	5	VN08
434-905	-0.9 ÷ 10	1250	37	VN11

Valves Mod. 454-90...



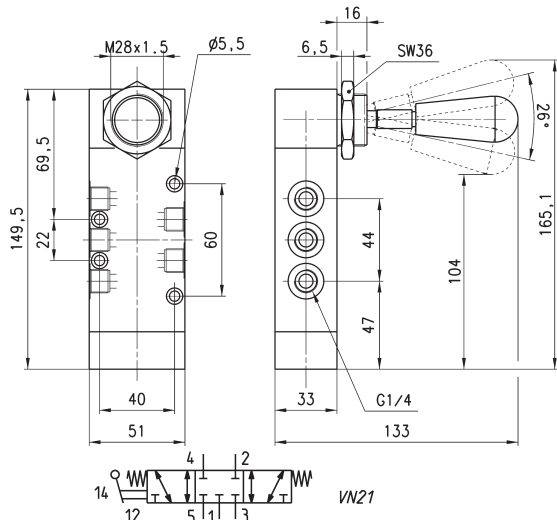
Mod.	Operating pressure (bar)	Flow (NI/min)	Actuating force (N)	Symbol
454-900	-0.9 ÷ 10	1250	5	VN16
454-905	-0.9 ÷ 10	1250	37	VN17

Valve Mod. 464-900



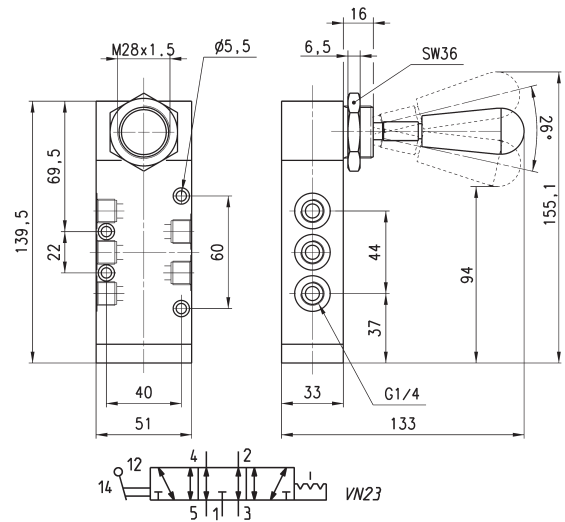
Mod.	Operating pressure (bar)	Flow (NI/min)	Actuating force (N)
464-900	-0.9 ÷ 10	1250	5

Valve Mod. 464-905



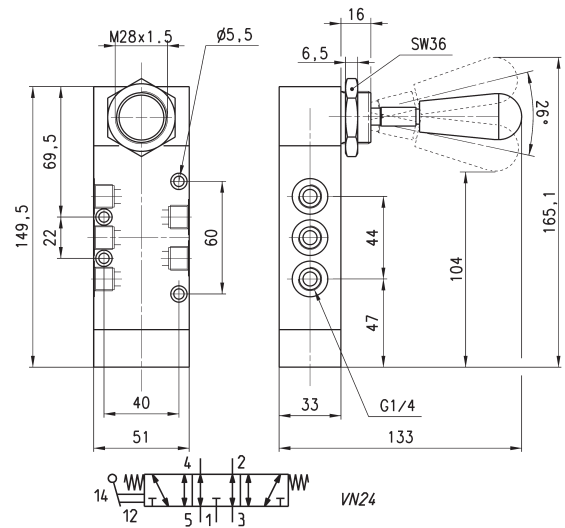
Mod.	Operating pressure (bar)	Flow (NI/min)	Actuating force (N)
464-905	-0.9 ÷ 10	1250	10

Valve Mod. 474-900



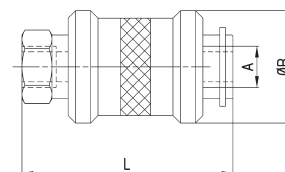
Mod.	Operating pressure (bar)	Flow (NI/min)	Actuating force (N)
474-900	-0.9 ÷ 10	1250	5

Valve Mod. 474-905

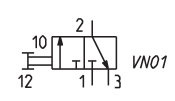


Mod.	Operating pressure (bar)	Flow (NI/min)	Actuating force (N)
474-905	-0.9 ÷ 10	1250	10

Series VMS slide valves

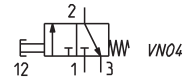
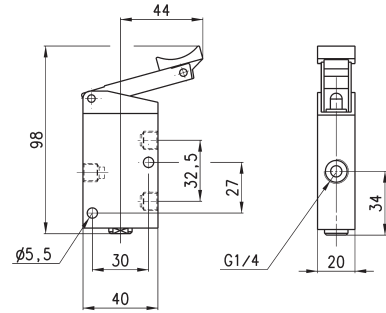


Mod.	A	ØB	L	Flow at 6 bar ΔP 1 (NI/min) 1-2	Flow at 6 bar ΔP 1 (NI/min) 2-3	Operating press. (bar)	Operating temp. (°C)
VMS-105-M5	M5	15	33,5	140	145	0 ÷ 15	-10 ÷ 80
VMS-118-1/8	G1/8	25	48	600	740	0 ÷ 15	-10 ÷ 80
VMS-114-1/4	G1/4	30	58	1200	1780	0 ÷ 15	-10 ÷ 80
VMS-138-3/8	G3/8	35	70	2100	1830	0 ÷ 15	-10 ÷ 80
VMS-112-1/2	G1/2	40	80	3350	4030	0 ÷ 15	-10 ÷ 80
VMS-134-3/4	G3/4	49,5	83	5350	5000	0 ÷ 15	-10 ÷ 80





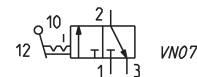
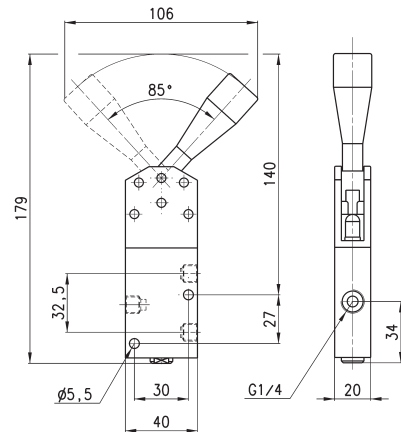
Valve Mod. 134-935



Mod.	Operating pressure (bar)	Flow (NI/min)	Actuating force (N)
134-935	0 ÷ 10	1250	40



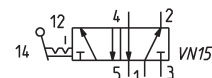
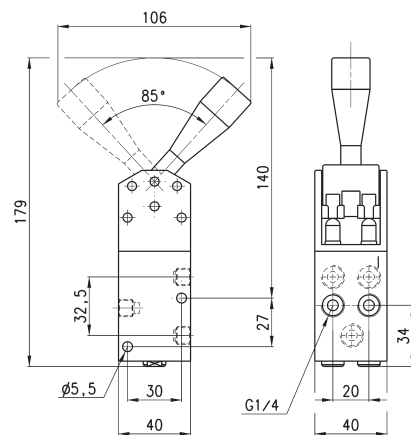
Valve Mod. 134-900



Mod.	Operating pressure (bar)	Flow (NI/min)	Actuating force (N)
134-900	0 ÷ 10	1250	30



Valve Mod. 154-900



Mod.	Operating pressure (bar)	Flow (NI/min)	Actuating force (N)
154-900	0 ÷ 10	1250	55