

# Series 3 and 4 mechanically operated sensor valves

3/2 and 5/2-way  
Ports G1/8, G1/4



The particular mechanical device allows these end-stroke valves to operate with very low actuating forces. Series 3 has been designed with a mechanical lever device which works in negative pressure. To increase sensitivity it is possible to add to the lever a steel extension with  $\varnothing$  3 mm.

## GENERAL DATA

<b>Construction</b>	spool-type (servocontrolled)
<b>Valve group</b>	3/2, 5/2 way/pos.
<b>Materials</b>	aluminium body, stainless steel spool, NBR seals
<b>Ports</b>	G1/8, G1/4
<b>Ambient temperature</b>	0°C + 60°C
<b>Medium temperature</b>	0°C + 50°C
<b>Operating pressure</b>	see models
<b>Fluid</b>	Filtered air, without lubrication. If lubricated air is used, it is recommended to use ISO VG32 oil. Once applied the lubrication should never be interrupted.

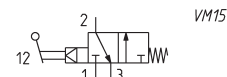
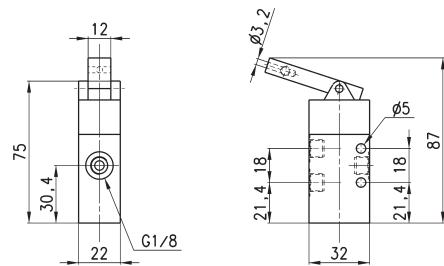
**CODING EXAMPLE**

<b>3</b>	<b>3</b>	<b>8</b>	<b>-</b>	<b>D15</b>	<b>-</b>	<b>9A5</b>
----------	----------	----------	----------	------------	----------	------------

<b>3</b>	SERIES: 3 4					
<b>3</b>	FUNCTION: 3 = 3/2-way NC 4 = 3/2-way NO 5 = 5/2-way					
<b>8</b>	PORTS: 8 = G1/8 4 = G1/4					
<b>D15</b>	ACTUATION: D15 = pressure drop/spring 015 = pressure/spring 011 = pressure/pressure					
<b>9A5</b>	DEVICES: 9A5 = lever sensor, spring return 194 = plunger sensor, spring return 294 = plunger sensor, bistable		195 = lever/roller, spring return 295 = lever/roller, bistable			

**Valve Mod. 338-D15-9A5**

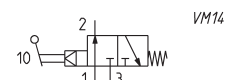
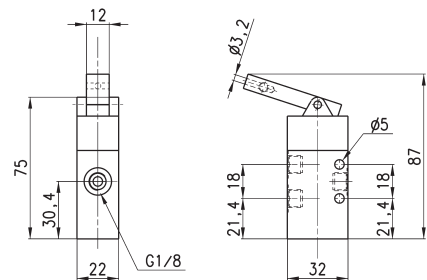
The function of the valve is indicated by the symbol when operating between 4 and 10 bar.



Mod.	Operating pressure (bar)	Flow rate (Nl/min)	Actuating force at 6 bar (N)
<b>338-D15-9A5</b>	4 ÷ 10	700	2

**Valve Mod. 348-D15-9A5**

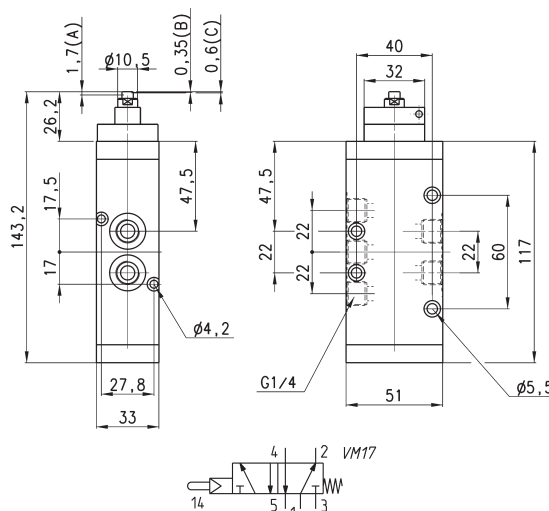
The function of the valve is indicated by the symbol when operating between 4 and 10 bar.



Mod.	Operating pressure (bar)	Flow rate (Nl/min)	Actuating force at 6 bar (N)
<b>348-D15-9A5</b>	4 ÷ 10	700	2



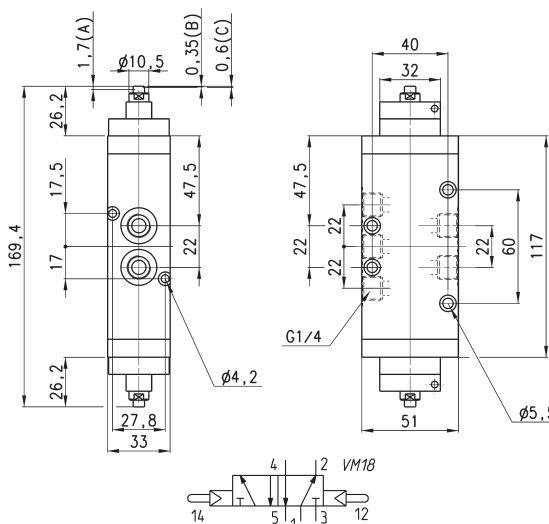
## Valve Mod. 454-015-194



(A) = total stroke  
(B) = pre-stroke  
(C) = useful stroke

Mod.	Operating pressure (bar)	Flow rate (NI/min)	Actuating force at 6 bar (N)
454-015-194	2.5 ÷ 8	1250	6

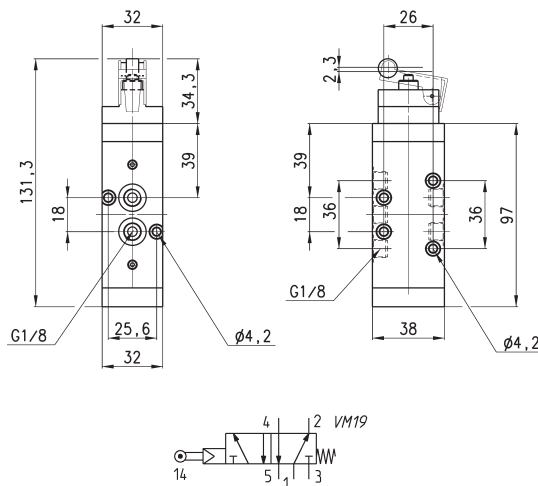
## Valve Mod. 454-011-294



(A) = total stroke  
(B) = pre-stroke  
(C) = useful stroke

Mod.	Operating pressure (bar)	Flow rate (NI/min)	Actuating force at 6 bar (N)
454-011-294	2 ÷ 8	1250	6

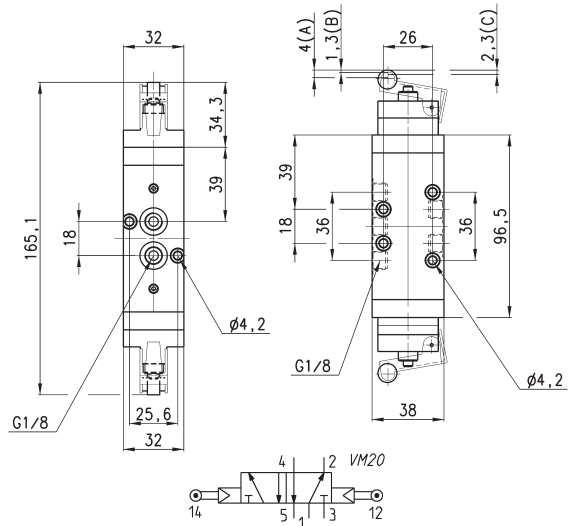
## Valve Mod. 458-015-195



(A) = total stroke  
(B) = pre-stroke  
(C) = useful stroke

Mod.	Operating pressure (bar)	Flow rate (NI/min)	Actuating force at 6 bar (N)
458-015-195	2.5 ÷ 8	650	4

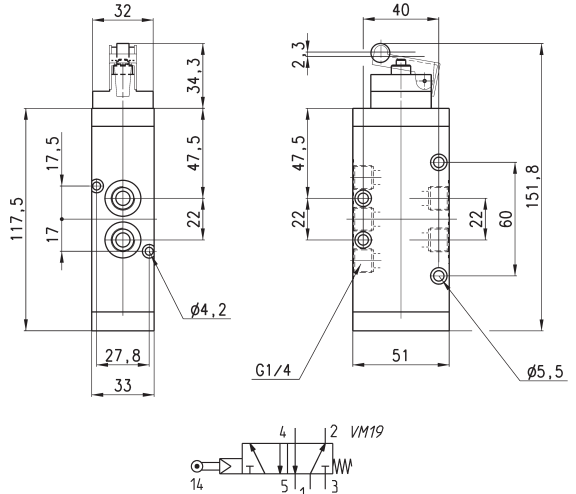
Valve Mod. 458-011-295



Mod.	Operating pressure (bar)	Flow rate (NI/min)	Actuating force at 6 bar (N)
458-011-295	2 ÷ 8	650	4

(A) = total stroke  
(B) = pre-stroke  
(C) = useful stroke

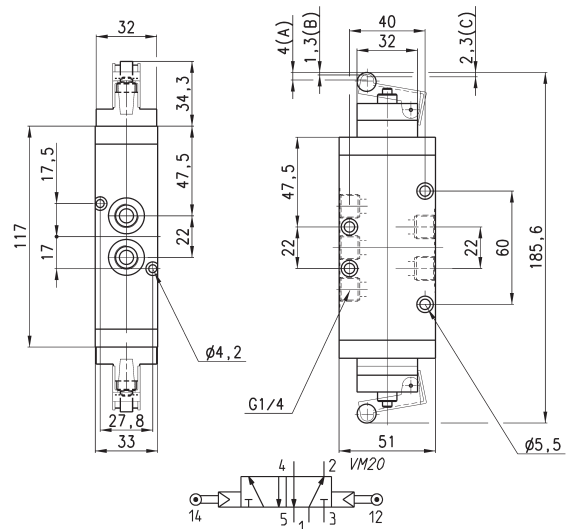
Valve Mod. 454-015-195



Mod.	Operating pressure (bar)	Flow rate (NI/min)	Actuating force at 6 bar (N)
454-015-195	2.5 ÷ 8	1250	4

(A) = total stroke  
(B) = pre-stroke  
(C) = useful stroke

Valve Mod. 454-011-295



Mod.	Operating pressure (bar)	Flow rate (NI/min)	Actuating force at 6 bar (N)
454-011-295	2 ÷ 8	1250	4

(A) = total stroke  
(B) = pre-stroke  
(C) = useful stroke