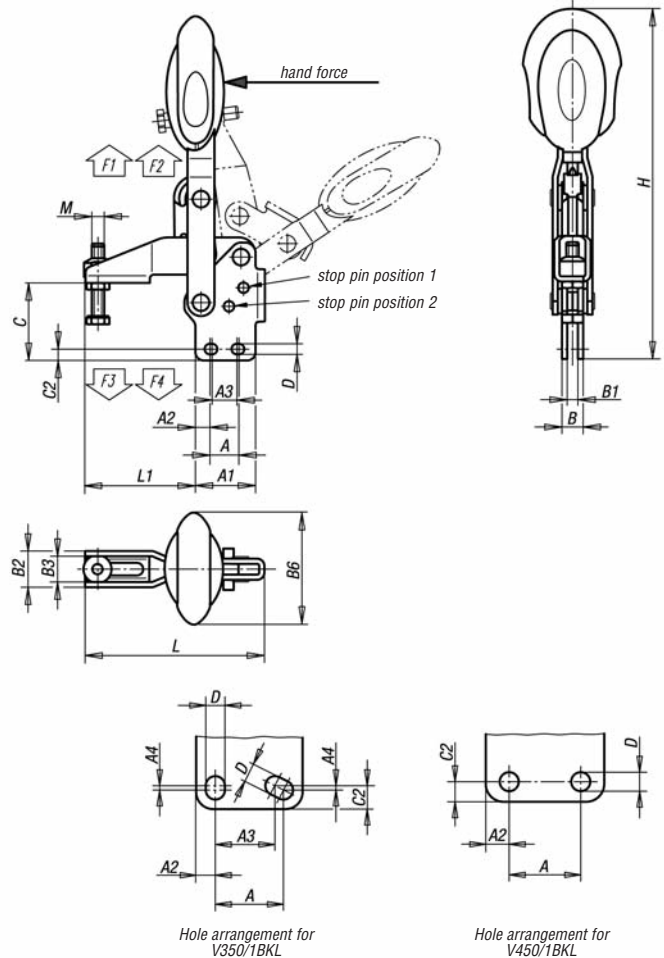


## VERTICAL CLAMPS SAFETY INTERLOCK+

VERTICAL MODELS

V150/1BKL - V450/1BKL



**Material:**  
Steel, with Polyamide handle, TPE unlocking bracket.

**Surface finish:**  
Nitro carburized and black oxidized.

**Arm:**  
The spindle position is adjustable along the arm.

**Base:**  
Straight.

**Supplied complete with:**  
Setscrew & Nut.

*Includes an internal bar lock with automatic safety and maintenance free high quality swivel bushings*

CLAMPING PRODUCTS

Order No	Arm opens through, Position 1	Arm opens through, Position 2	Arm opens through, pin removed	Handle opens through, Position 1	Handle opens through, Position 2	Handforce daN	Holdingforce F1 daN	Holdingforce F2 daN	Clampingforce F3 daN	Clampingforce F3 daN
V150/1BKL	56°	83°	156°	46°	56°	16	135	165	92	105
V250/1BKL	13°	93°	157°	26°	61°	19	200	280	94	135
V350/1BKL	6°	97°	175°	19°	59°	25	250	450	150	280
V450/1BKL	11°	88°	163°	24°	60°	28	300	550	140	280

Order No	M	A	A1	A2	A3	A4	B	B1	B2	B3	B6	C	C2	D	H	L	L1
V150/1BKL	M6x35	14	29	7	12	-	10.2	5.2	17.5	12.4	53.4	37.6	5.5	5.5	175.7	86.5	53.0
V250/1BKL	M8x45	21	39	9	19	-	10.2	5.2	20.6	15.5	51.1	49	6.5	6.8	207.6	107.0	62.0
V350/1BKL	M10x55	32	50	8	27	3.5	14.1	7.1	25.5	18.4	56.5	62.3	13	9	254	153.0	95.0
V450/1BKL	M12x70	32	53	10.5	-	-	14.1	7.1	28	20.9	56.5	69.8	9	8.8	271.9	173.5	113.5