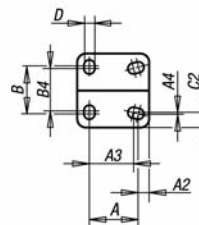
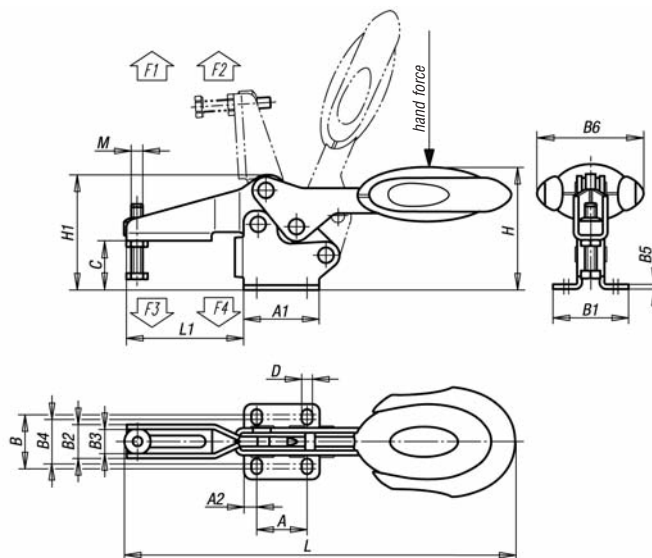


HORIZONTAL CLAMPS SAFETY INTERLOCK+

HORIZONTAL MODELS

H150/2BKL - H450/2BKL



Hole arrangement for H450/2BKL

Includes an internal bar lock with automatic safety and maintenance free high quality swivel bushings

Material:
Steel, with Polyamide handle, TPE unlocking bracket.
Surface finish:
Nitro carburized and black oxidized.
Arm:
The spindle position is adjustable along the arm.
Base:
Flanged.
Supplied complete with:
Setscrew & Nut.

Order No	Arm opens through	Handle opens through	Handforce daN	Holdingforce F1 daN	Holdingforce F2 daN	Clampingforce F3 daN	Clampingforce F4 daN
H150/2BKL	87°	68°	16	135	190	72	120
H250/2BKL	88°	68°	20	200	280	83	140
H350/2BKL	90°	71°	25	220	450	120	280
H450/2BKL	88°	68°	28	240	550	100	280

Order No	M	A	A1	A2	A3	A4	B	B1	B2	B3	B4	B5	B6	C	C2	D	H	H1	L	L1
H150/2BKL	M6x35	26	39	6.5	-	-	28	39	17.5	12.4	23	2.5	43.5	25.5	-	5.5	63.2	59.5	186.7	60.5
H250/2BKL	M8x45	26	44	9	-	-	31	45	21	15.7	24	2.5	41.5	32.2	-	6.2	73.9	70	223.2	74.9
H350/2BKL	M10x55	41.5	59	9	-	-	43	59	26	18.7	39	3.5	47	40	-	8.8	94.8	87.9	279.4	103.9
H450/2BKL	M12x70	44	65	10	40	1	42	67	28	20.9	40	3.5	47	52.3	13.5	8.5	104.8	101.6	314.7	122

CLAMPING PRODUCTS