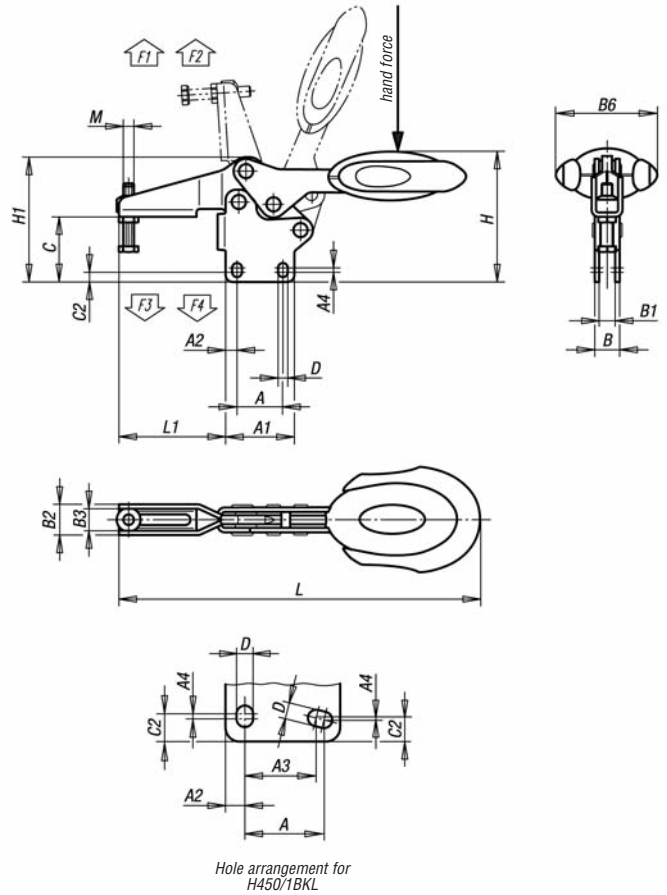


HORIZONTAL CLAMPS SAFETY INTERLOCK+

HORIZONTAL MODELS

H150/1BKL - H450/1BKL



Material:
Steel, with Polyamide handle, TPE unlocking bracket.

Surface finish:
Nitro carburized and black oxidized.

Arm:
The spindle position is adjustable along the arm.

Base:
Straight.

Supplied complete with:
Setscrew & Nut.

Includes an internal bar lock with automatic safety and maintenance free high quality swivel bushings

CLAMPING PRODUCTS

Order No	Arm opens through	Handle opens through	Handforce daN	Holdingforce F1 daN	Holdingforce F2 daN	Clampingforce F3 daN	Clampingforce F4 daN
H150/1BKL	87°	68°	16	135	190	72	120
H250/1BKL	88°	68°	20	200	280	83	140
H350/1BKL	90°	71°	25	220	450	120	280
H450/1BKL	88°	68°	28	240	550	100	280

Order No	M	A	A1	A2	A3	A4	B	B1	B2	B3	B6	C	C2	D	H	H1	L	L1
H150/1BKL	M6x35	26	39	6.5	-	2.5	14.1	9.1	17.5	12.4	43.5	37	5.5	5.5	74.2	71	186.8	60.5
H250/1BKL	M8x45	26	44	9	-	3.5	14.1	9.1	21	15.7	41.5	46.5	7	6.2	88.2	84.4	223.2	74.9
H350/1BKL	M10x55	41.5	59	9	-	2	16.2	9.2	26	18.7	47	59.6	8	8.8	114.4	107.5	279.3	103.9
H450/1BKL	M12x70	44	65	11	40	1	16.2	67	28	20.9	47	75.9	13.5	8.5	128.4	125.2	314.7	122