

## POSITIVE LOCKING CLAMPS

**V350 SERIES**  
**MODEL V350/1BBLC**



**Arm:**  
 The spindle position is adjustable along the arm.

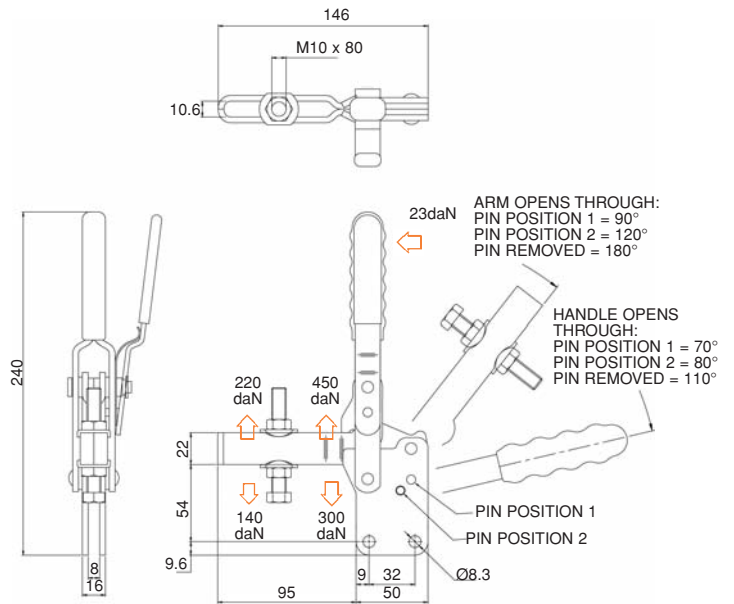
**Base:**  
 Straight.

**Nominal Holding Force:**  
 350 daN

**Weight:**  
 0.8 Kg

**Supplied complete with:**  
 MB1080 Setscrew & nuts.  
 FW10/20 Flanged washers.

See "Accessories" for other items.



**V250 SERIES**  
**MODEL V250/1BLC**



**Arm:**  
 The spindle position is adjustable along the length of the arm.

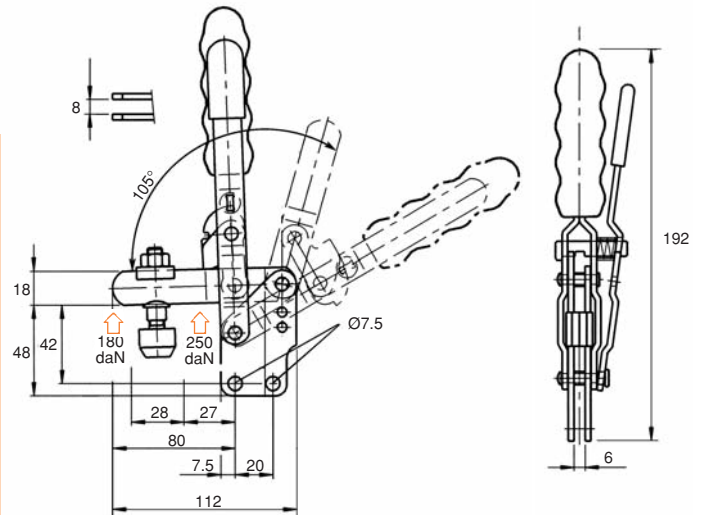
**Base:**  
 Straight.

**Nominal Holding Force:**  
 250 daN

**Weight:**  
 0.47 Kg

**Supplied complete with:**  
 Zinc plated screw, nut, washers and neoprene cover.

See "Accessories" for other items.



**V250 SERIES**  
**MODEL V250/2BLC**



**Arm:**  
 The spindle position is adjustable along the length of the arm.

**Base:**  
 Flanged.

**Nominal Holding Force:**  
 250 daN

**Weight:**  
 0.47 Kg

**Supplied complete with:**  
 Zinc plated screw, nut, washers and neoprene cover.

See "Accessories" for other items.

