

POSITIVE LOCKING CLAMPS

V250 SERIES

MODEL V250/3BLC



Arm:
The spindle position is adjustable along the length of the arm.

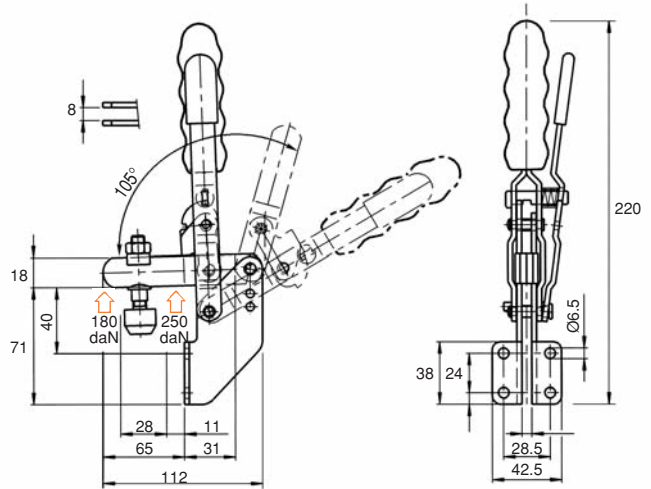
Base:
Flanged.

Nominal Holding Force:
250 daN

Weight:
0.535 Kg

Supplied complete with:
Zinc plated screw, nut, washers and neoprene cover.

See "Accessories" for other items.



V350 SERIES

MODEL V350/1BLC



Arm:
The spindle position is adjustable along the length of the arm.

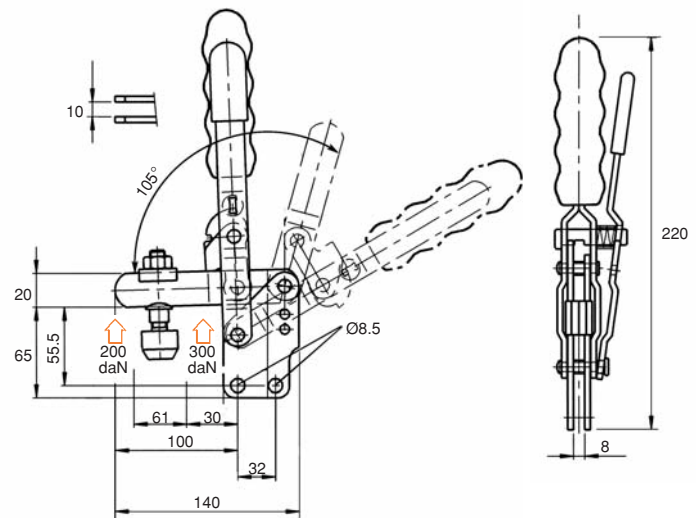
Base:
Straight.

Nominal Holding Force:
350 daN

Weight:
0.69 Kg

Supplied complete with:
Zinc plated screw, nut, washers and neoprene cover.

See "Accessories" for other items.



V350 SERIES

MODEL V350/2BLC



Arm:
The spindle position is adjustable along the length of the arm.

Base:
Flanged.

Nominal Holding Force:
350 daN

Weight:
0.69 Kg

Supplied complete with:
Zinc plated screw, nut, washers and neoprene cover.

See "Accessories" for other items.

