

POSITIVE LOCKING CLAMPS

V250 SERIES
MODEL V250/2BBLC



Arm:
The spindle position is adjustable along the arm.

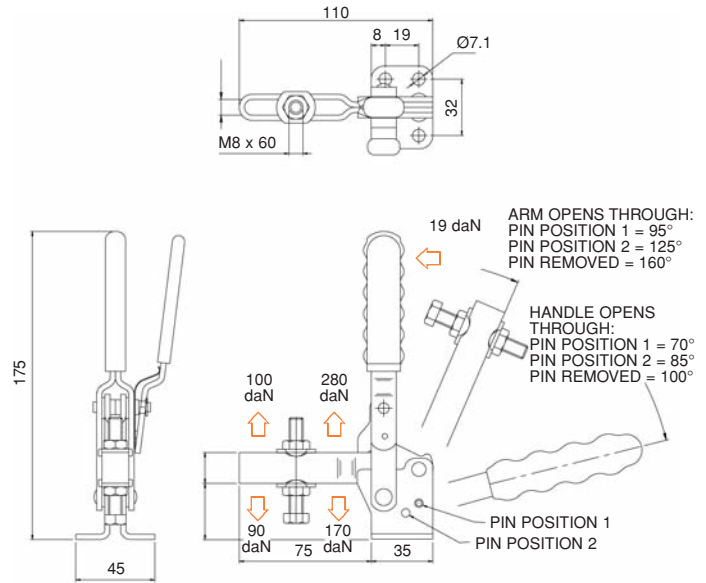
Base:
Flanged.

Nominal Holding Force:
250 daN

Weight:
0.38 Kg

Supplied complete with:
MB0860 Setscrew & nuts.
FW08/15 Flanged washers.

See "Accessories" for other items.



V250 SERIES
MODEL V250/1BBLC



Arm:
The spindle position is adjustable along the arm.

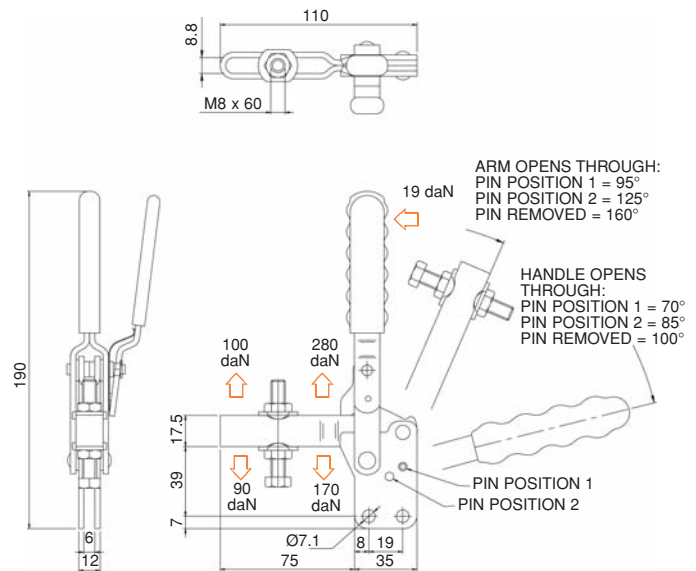
Base:
Straight.

Nominal Holding Force:
250 daN

Weight:
0.38 Kg

Supplied complete with:
MB0860 Setscrew & nuts.
FW08/15 Flanged washers.

See "Accessories" for other items.



V350 SERIES
MODEL V350/2BBLC



Arm:
The spindle position is adjustable along the arm.

Base:
Flanged.

Nominal Holding Force:
350 daN

Weight:
0.8 Kg

Supplied complete with:
MB1080 Setscrew & nuts.
FW10/20 Flanged washers.

See "Accessories" for other items.

