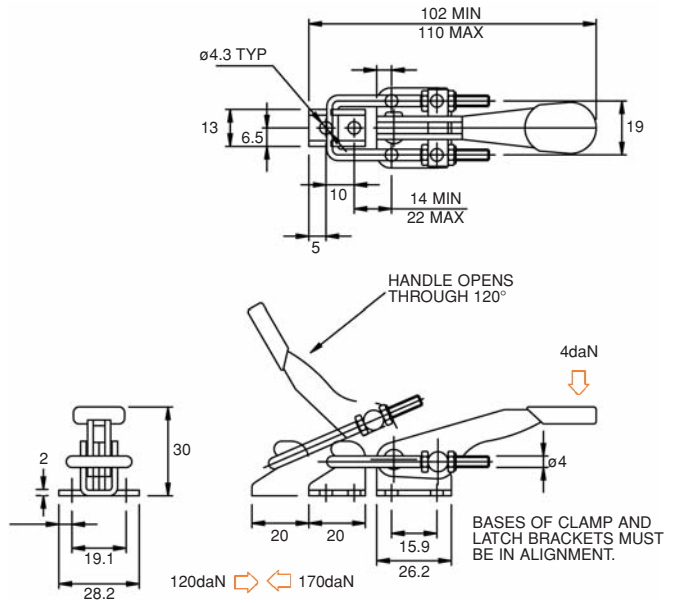


## LATCH CLAMPS

**HORIZONTAL**  
**MODEL LU323**



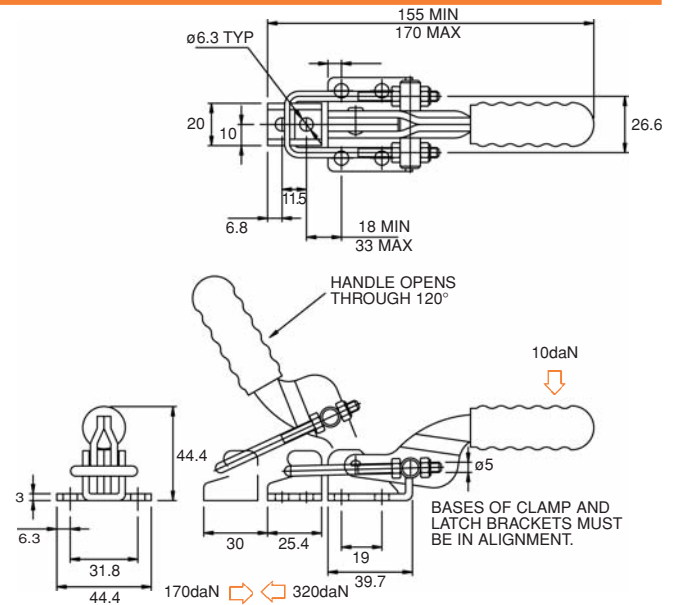
**Nominal Holding Force:**  
170 daN  
**Weight:**  
0.16 Kg  
**Supplied complete with:**  
Latch Bracket as shown.



**HORIZONTAL**  
**MODEL LU331**



**Nominal Holding Force:**  
320 daN  
**Weight:**  
0.23 Kg  
**Supplied complete with:**  
Latch Bracket as shown.



**HORIZONTAL**  
**MODEL LU341**



**Nominal Holding Force:**  
900 daN  
**Weight:**  
0.68 Kg  
**Supplied complete with:**  
Latch Bracket as shown.

