

HEAVY-DUTY VERTICAL CLAMPS

VA2400 SERIES MODEL VA2400S



for pneumatic models
see page 15



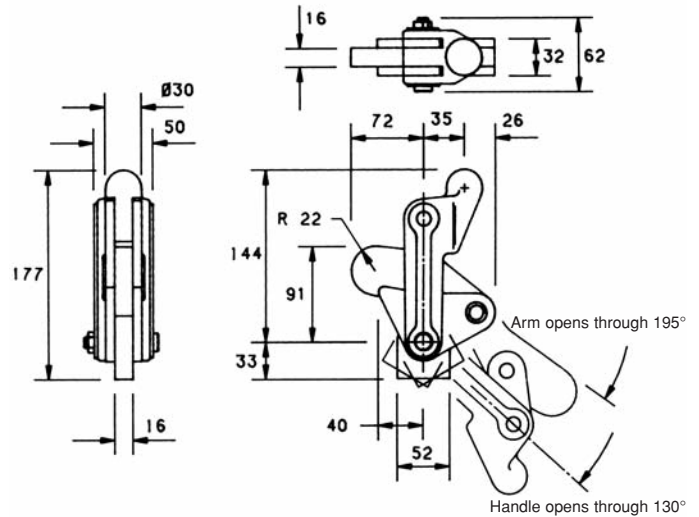
Arm:
Stub nose for welded extensions.

Base:
Swivel for welding in the desired position.

Nominal Holding Force:
2400 daN

Weight:
2.90 Kg

See "Accessories" for other items.



VA2400 SERIES MODEL VA2400T



for pneumatic models
see page 15



Arm:
Stub nose for welded extensions.

Base:
Straight.

Nominal Holding Force:
2400 daN

Weight:
3.20 Kg

See "Accessories" for other items.

