

## HEAVY-DUTY VERTICAL CLAMPS

### VA700 SERIES MODEL VA700T



**Arm:**  
Stub nose for welded  
extensions.

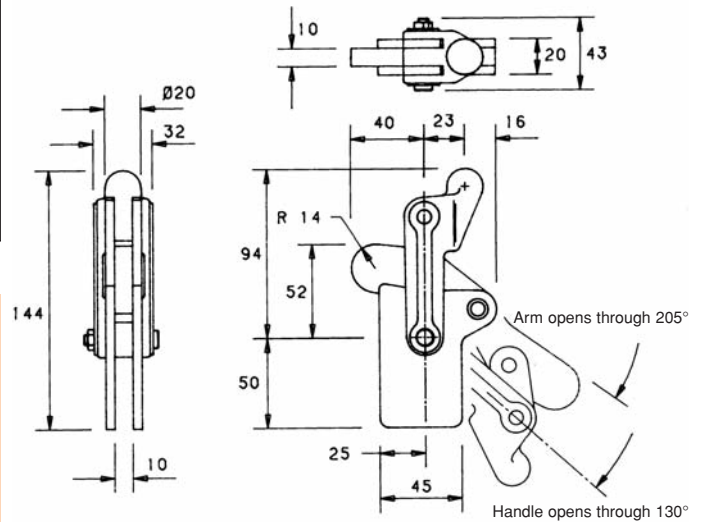
**Base:**  
Straight.

**Nominal Holding Force:**  
700 daN

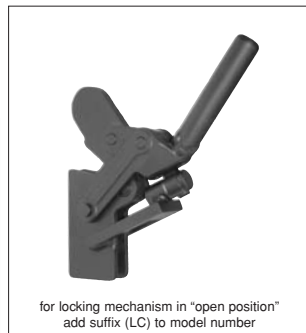
**Weight:**  
0.80 Kg

See "Features and installation  
information" page for installation  
instructions.

See "Accessories" for other  
items.



### VA700 SERIES MODEL VA700/1A



**Arm:**  
Solid arm.

**Base:**  
Straight.

**Nominal Holding Force:**  
700 daN

**Weight:**  
1.10 Kg

**Supplied complete with:**  
Spindle retainer.  
MB12100 Setscrew & nuts.

See "Accessories" for other  
items.

