

## HEAVY-DUTY VERTICAL CLAMPS

**VA300 SERIES**  
MODEL VA300/S



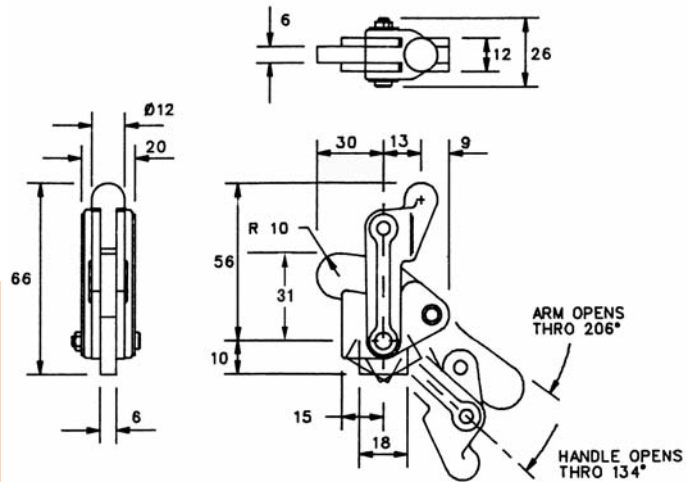
**Arm:**  
Stub nose for welded extension.

**Base:**  
Swivel for welding in the desired position.

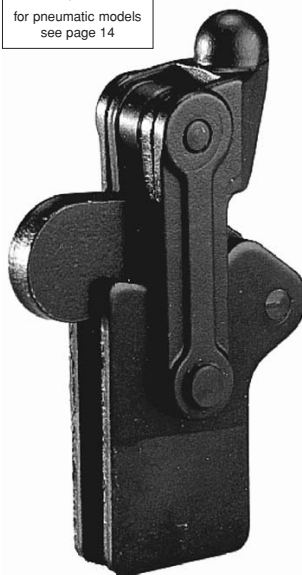
**Nominal Holding Force:**  
300 daN

**Weight:**  
0.15 Kg

See "Accessories" for other items.



**VA300 SERIES**  
MODEL VA300/T



**Arm:**  
Stub nose for welded extension.

**Base:**  
Straight.

**Nominal Holding Force:**  
300 daN

**Weight:**  
0.15 Kg

See "Accessories" for other items.

