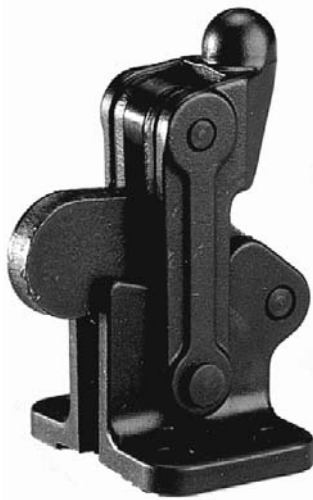


## HEAVY-DUTY VERTICAL CLAMPS

VA300 SERIES  
MODEL VA300/2S



for pneumatic models  
see page 14



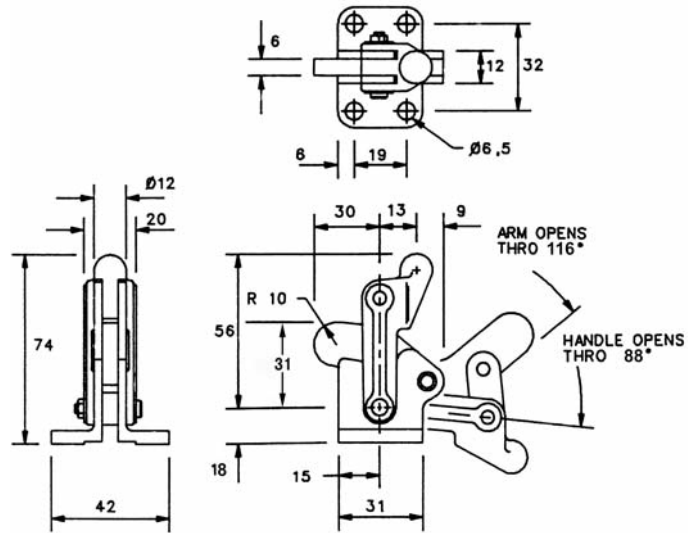
**Arm:**  
Stub nose for welded extension.

**Base:**  
Flanged.

**Nominal Holding Force:**  
300 daN

**Weight:**  
0.20 Kg

See "Accessories" for other items.



VA300 SERIES  
MODEL VA300/1B



for pneumatic models  
see page 14



**Arm:**  
The spindle is adjustable along the arm.

**Base:**  
Straight.

**Nominal Holding Force:**  
300 daN

**Weight:**  
0.25 Kg

**Supplied complete with:**  
MB0650 Set screw & nuts.  
FW 06/12 Flanged washer.

See "Accessories" for other items.

