

HEAVY-DUTY VERTICAL CLAMPS

VA2400 SERIES
MODEL VA2400/1A



Arm:
Solid arm.

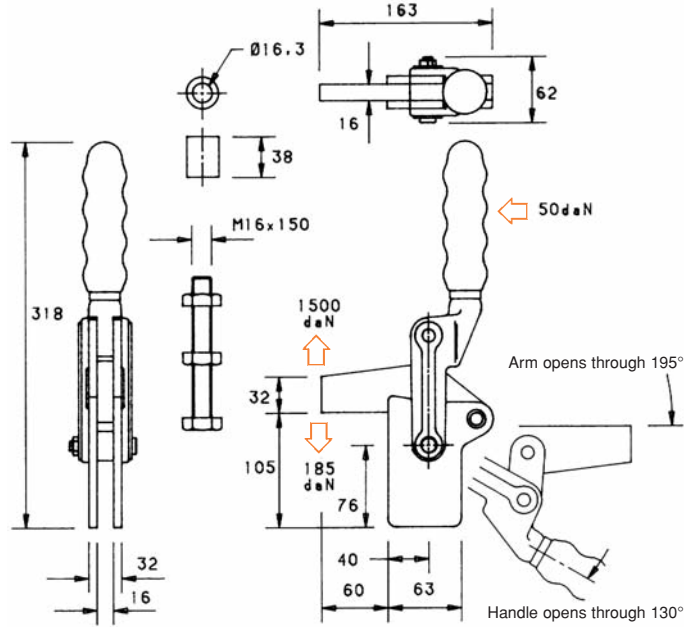
Base:
Straight.

Nominal Holding Force:
2400 daN

Weight:
3.75 Kg

Supplied complete with:
Spindle retainer.
MB16150 Setscrew & nuts.

See "Accessories" for other items.



VA2400 SERIES
MODEL VA2400/2C



Arm:
The spindle is in a fixed position.

Base:
Flanged.

Nominal Holding Force:
2400 daN

Weight:
4.10 Kg

Supplied complete with:
MB16150 Setscrew & nuts.

See "Accessories" for other items.

