

## PUSH-PULL CLAMPS

**P200 SERIES**  
MODEL P200SS

**STAINLESS  
STEEL**



**Plunger:**  
Locks at both extended & retracted ends of the stroke.

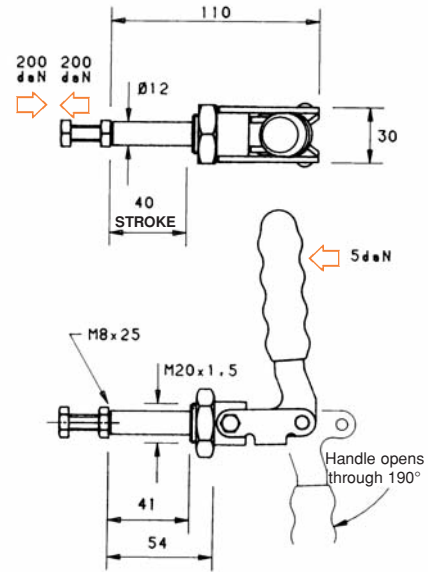
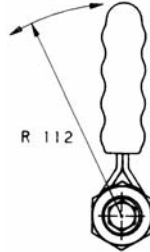
**Base:**  
Nose or flange mounting.

**Nominal Holding Force:**  
200 daN

**Weight:**  
0.35 Kg

**Supplied complete with:**  
Setscrew & nut.

**Material:**  
BS 304 S15



**P400 SERIES**  
MODEL P400



**Plunger:**  
Locks at both extended & retracted ends of the stroke.

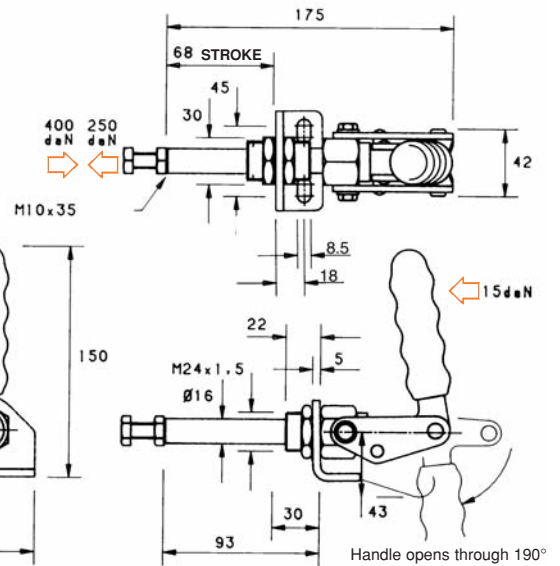
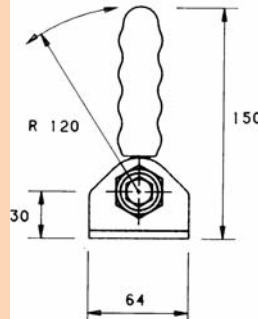
**Base:**  
Nose or flange mounting.

**Nominal Holding Force:**  
400 daN

**Weight:**  
0.80 Kg

**Supplied complete with:**  
MB1050 Setscrew & nut.  
Mounting bracket & locknut.

See "Accessories" for  
alternative FM24 Mounting  
Bracket & other items.



**P400 SERIES**  
MODEL P400SS

**STAINLESS  
STEEL**



**Plunger:**  
Locks at both extended & retracted ends of the stroke.

**Base:**  
Nose or flange mounting.

**Nominal Holding Force:**  
400 daN

**Weight:**  
0.80 Kg

**Supplied complete with:**  
Setscrew & nut.

**Material:**  
BS 304 S15

