

PUSH-PULL CLAMPS

P650 SERIES
MODEL P650



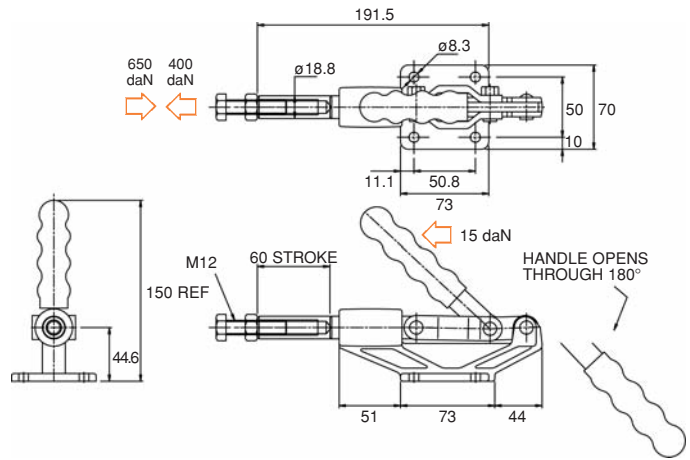
Plunger:
 Locks at both extended & retracted ends of the stroke.

Base:
 Body mounting.

Nominal Holding Force:
 650 daN

Weight:
 1.48 Kg

Supplied complete with:
 MB1050 Setscrew & nut.



'SLIMLINE' PUSH-PULL CLAMPS
MODEL P350



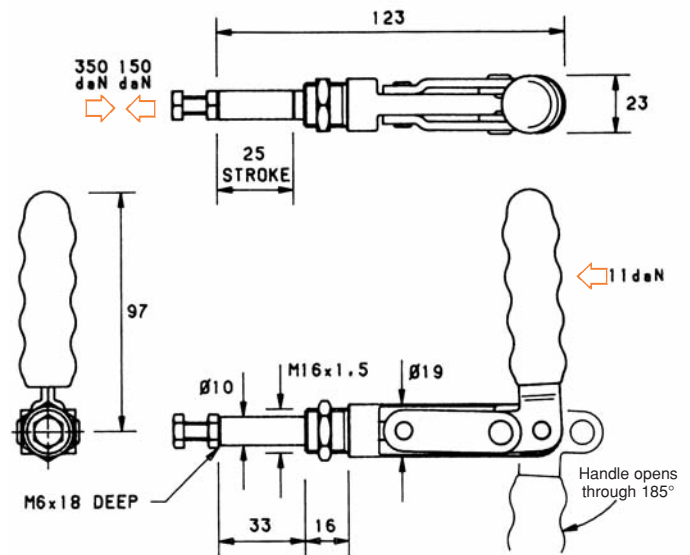
Plunger:
 Locks at both extended & retracted ends of the stroke.

Base:
 Nose mounting.

Nominal Holding Force:
 350 daN

Weight:
 0.20 Kg

Supplied complete with:
 MB0625 Setscrew & nut.
 See "Accessories" for FM16 Mounting Bracket & other items.



'SLIMLINE' PUSH-PULL CLAMPS
MODEL P550



Plunger:
 Locks at both extended & retracted ends of the stroke.

Base:
 Nose mounting.

Nominal Holding Force:
 550 daN

Weight:
 0.45 Kg

Supplied complete with:
 MB0840 Setscrew & nut.
 See "Accessories" for FM20 Mounting Bracket & other items.

