

HEAVY-DUTY PUSH-PULL CLAMPS

MODEL P2500L



Plunger: Ground Steel.
Locks at both extended & retracted ends of the stroke.

Base: SG Iron Casting.
Body mounting.

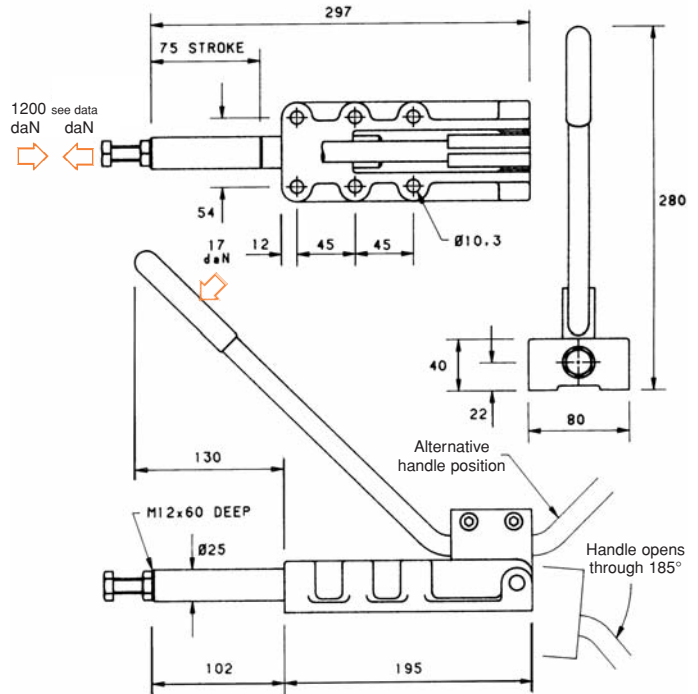
Nominal Holding Force:
2500 daN

Weight:
4.15 Kg

Supplied complete with:
MB1250 Setscrew & nut.

See "Accessories" for other items.

With 17 daN handle force the output force is:	daN
Fully retracted	1000
10 mm extended	100
20 mm "	72
30 mm "	60
40 mm "	70
50 mm "	88
60 mm "	118
70 mm "	190
72 mm "	230
74 mm "	353
Fully extended	1100



MODEL P5000L



Plunger: Ground Steel.
Locks at both extended & retracted ends of the stroke.

Base: SG Iron Casting.
Body mounting.

Nominal Holding Force:
5000 daN

Weight:
7.10 Kg

Supplied complete with:
MB1680 Setscrew & nut.

See "Accessories" for other items.

With 20 daN handle force the output force is:	daN
Fully retracted	1100
10 mm extended	180
20 mm "	110
30 mm "	75
40 mm "	80
50 mm "	82
60 mm "	100
70 mm "	100
80 mm "	130
90 mm "	190
95 mm "	250
97 mm "	310
99 mm "	450
Fully extended	1210

