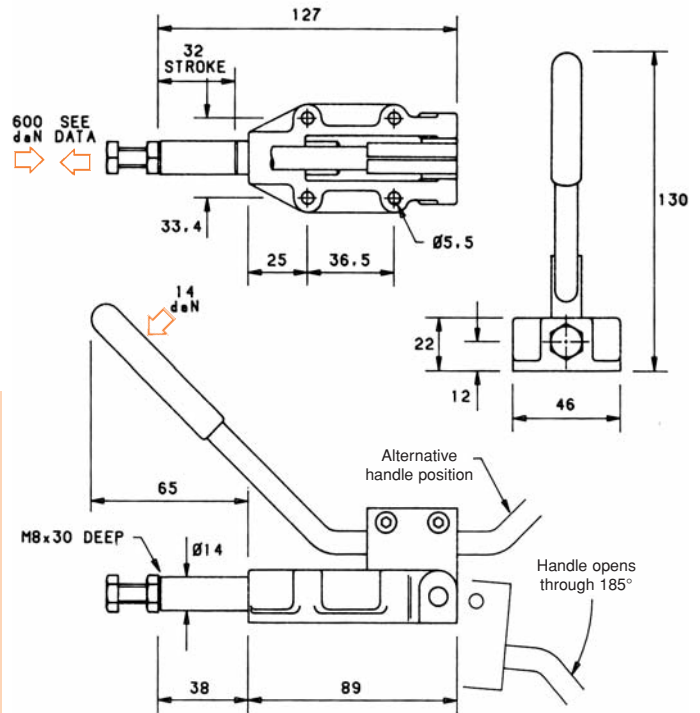
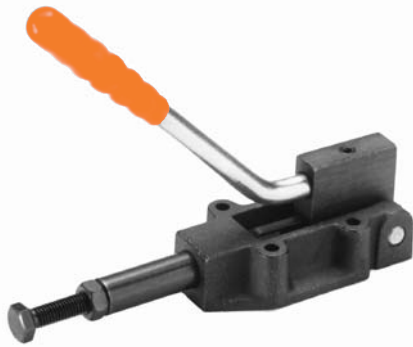


HEAVY-DUTY PUSH-PULL CLAMPS

MODEL P600L



Plunger: Ground Steel.
Locks at both extended & retracted ends of the stroke.

Base: SG Iron Casting.
Body mounting.

Nominal Holding Force:
600 daN

Weight:
0.55 Kg

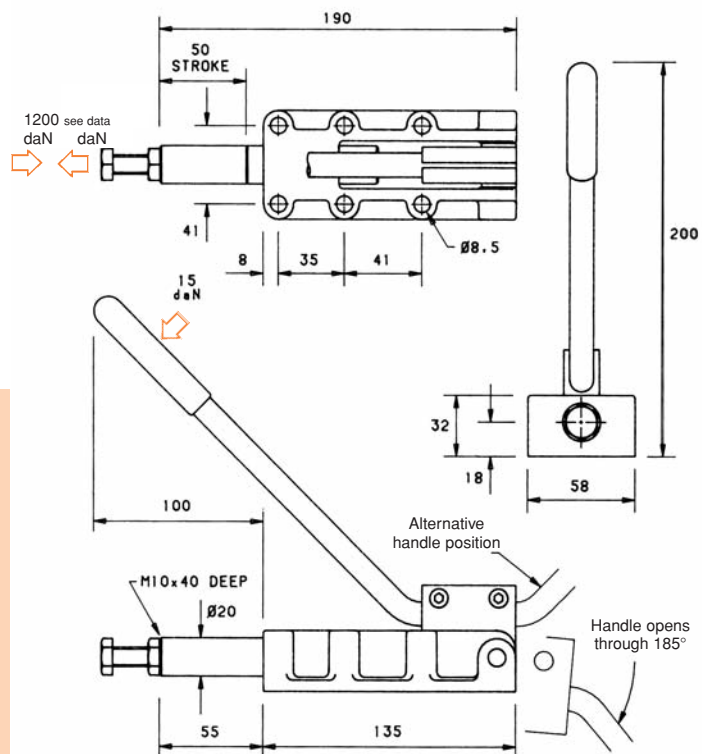
Supplied complete with:
MB0840 Setscrew & nut.

See "Accessories" for other items.

With 14 daN handle force the output force is:

Extension	daN
Fully retracted	470
5 mm extended	110
10 mm "	70
15 mm "	75
20 mm "	80
25 mm "	85
30 mm "	146
31 mm "	190
Fully extended	580

MODEL P1200L



Plunger: Ground Steel.
Locks at both extended & retracted ends of the stroke.

Base: SG Iron Casting.
Body mounting.

Nominal Holding Force:
1200 daN

Weight:
1.60 Kg

Supplied complete with:
MB1050 Setscrew & nut.

See "Accessories" for other items.

With 15 daN handle force the output force is:

Extension	daN
Fully retracted	705
5 mm extended	167
10 mm "	90
15 mm "	73
20 mm "	70
25 mm "	72
30 mm "	85
35 mm "	100
40 mm "	110
45 mm "	150
48 mm "	220
49 mm "	290
Fully extended	930