

HEAVY-DUTY PUSH-PULL CLAMPS

MODEL P2500



Plunger: Ground Steel.
Locks at both extended & retracted ends of the stroke.

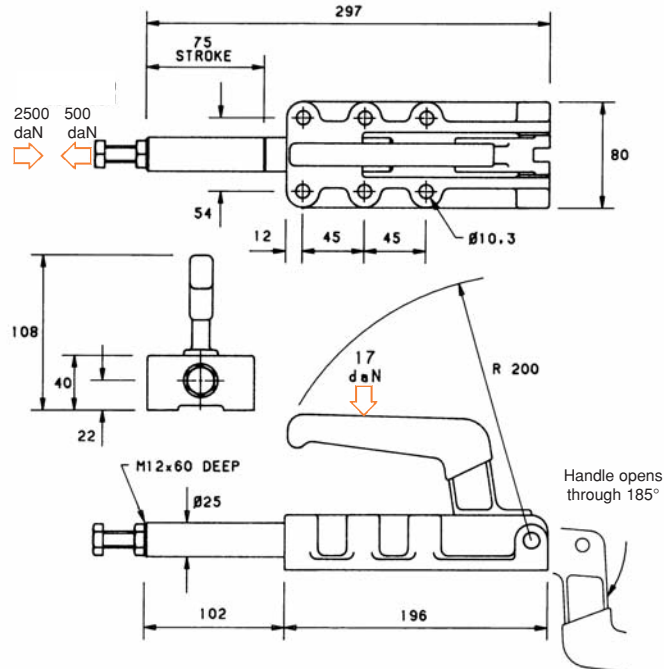
Base: SG Iron Casting.
Body mounting.

Nominal Holding Force:
2500 daN

Weight:
3.60 Kg

Supplied complete with:
MB1250 Setscrew & nut.

See "Accessories" for other items.



MODEL P5000



Plunger: Ground Steel.
Locks at both extended & retracted ends of the stroke.

Base: SG Iron Casting.
Body mounting.

Nominal Holding Force:
5000 daN

Weight:
6.20 Kg

Supplied complete with:
MB1680 Setscrew & nut.

See "Accessories" for other items.

