

VERTICAL CLAMPS

V450 SERIES

MODEL V450/1C



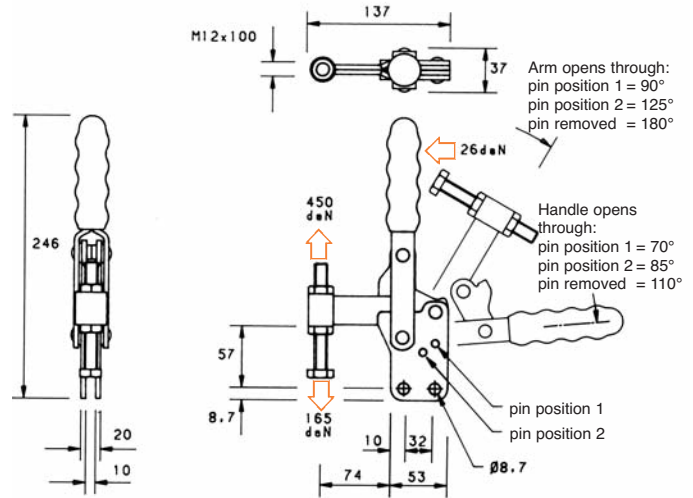
Arm:
The spindle is in a fixed position.

Base:
Straight.

Nominal Holding Force:
450 daN

Weight:
1.30 Kg

Supplied complete with:
MB12100 Setscrew & nuts.
See "Accessories" for other items.

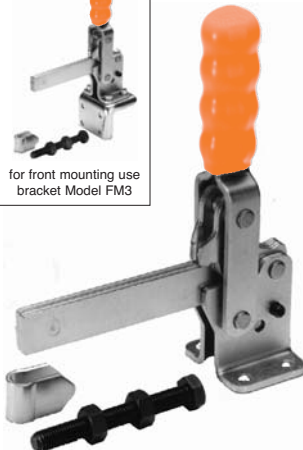


V450 SERIES

MODEL V450/2A



for front mounting use bracket Model FM3



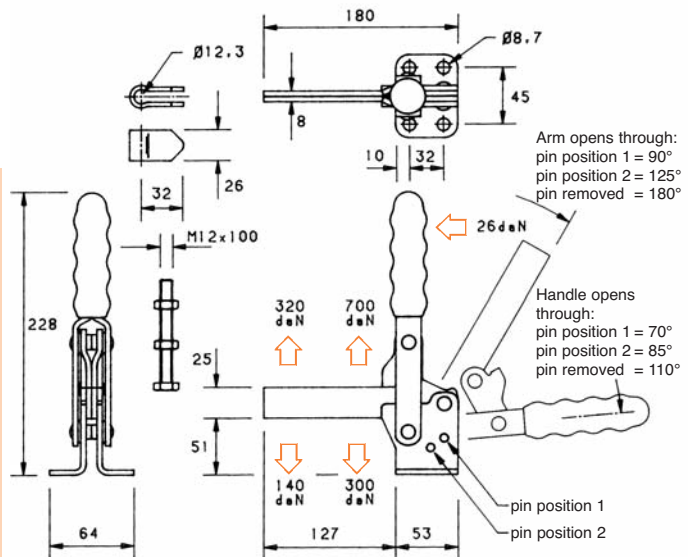
Arm:
Solid with spindle retainer supplied loose for welding in the desired position.

Base:
Flanged.

Nominal Holding Force:
450 daN

Weight:
1.25 Kg

Supplied complete with:
MB12100 Setscrew & nuts.
R/12 Spindle retainer.
See "Accessories" for other items.

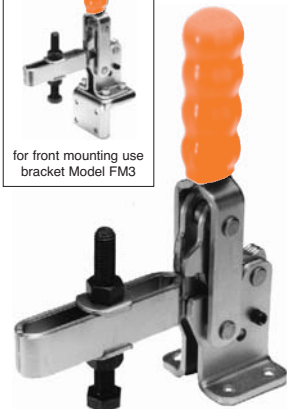


V450 SERIES

MODEL V450/2B



for front mounting use bracket Model FM3



Arm:
The spindle position is adjustable along the arm.

Base:
Flanged.

Nominal Holding Force:
450 daN

Weight:
1.35 Kg

Supplied complete with:
MB12100 Setscrew & nuts.
FW12/23 Flanged washers.
See "Accessories" for other items.

