

VERTICAL CLAMPS

V250 SERIES

MODEL V250/1BSS

**STAINLESS
STEEL**



Arm:
The spindle position is adjustable along the arm.

Base:
Straight.

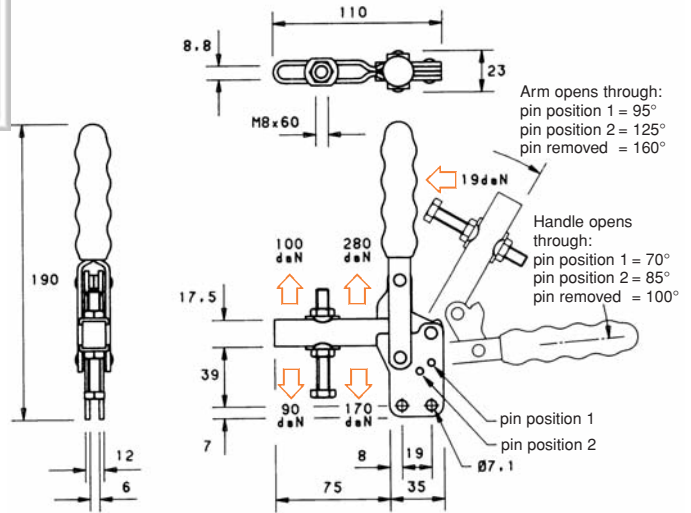
Nominal Holding Force:
250 daN

Weight:
0.38 Kg

Supplied complete with:
MB0860 Setscrew & nuts.
FW08/15 Flanged washers.

Material:
BS 304 S15

See "Accessories" for other items.



V250 SERIES

MODEL V250/1C



Arm:
The spindle is in a fixed position.

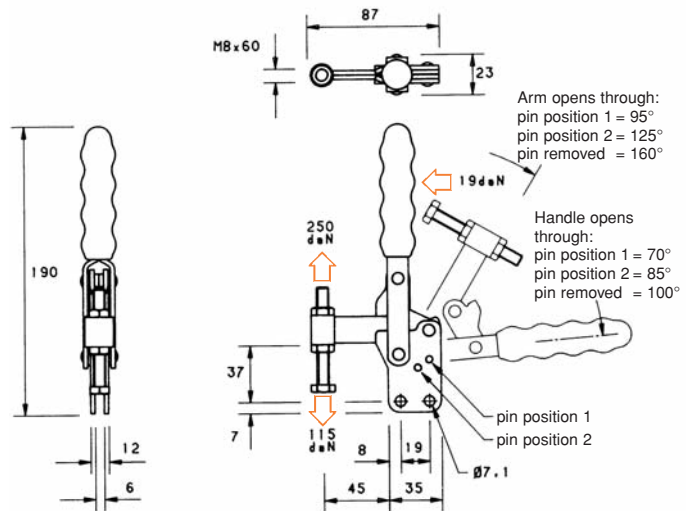
Base:
Straight.

Nominal Holding Force:
250 daN

Weight:
0.38 Kg

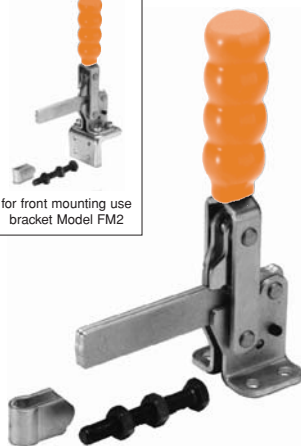
Supplied complete with:
MB0860 Setscrew & nuts.

See "Accessories" for other items.



V250 SERIES

MODEL V250/2A



Arm:
2-piece "solid" arm with spindle retainer supplied loose for welding in the desired position.

Base:
Flanged.

Nominal Holding Force:
250 daN

Weight:
0.38 Kg

Supplied complete with:
MB0860 Setscrew & nuts.
R/08 Spindle retainer.

See "Accessories" for other items.

