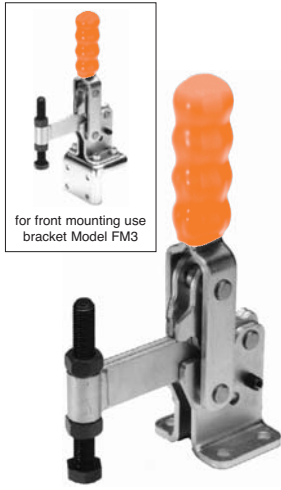


VERTICAL CLAMPS

V450 SERIES

MODEL V450/2C



for front mounting use
bracket Model FM3

Arm:

The spindle is in a fixed position.

Base:

Flanged.

Nominal Holding Force:

450 daN

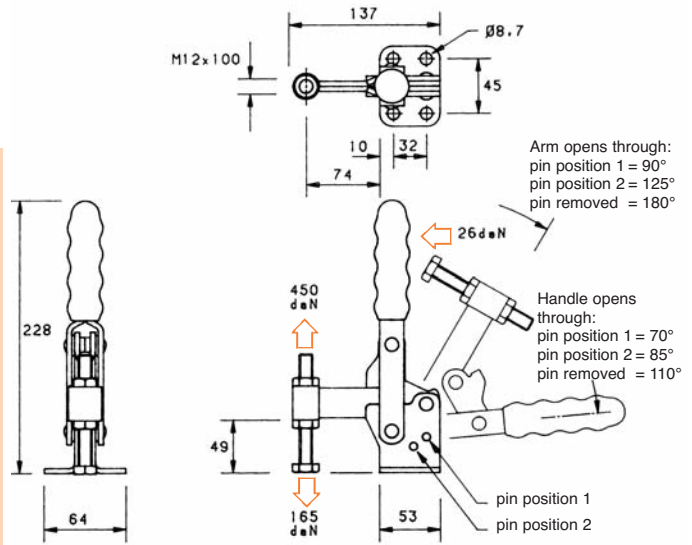
Weight:

1.30 Kg

Supplied complete with:

MB12100 Setscrew & nuts.

See "Accessories" for other items.



V550 SERIES

MODEL V550/1A



Arm:

Solid with spindle retainer supplied loose for welding in the desired position.

Base:

Straight.

Nominal Holding Force:

550 daN

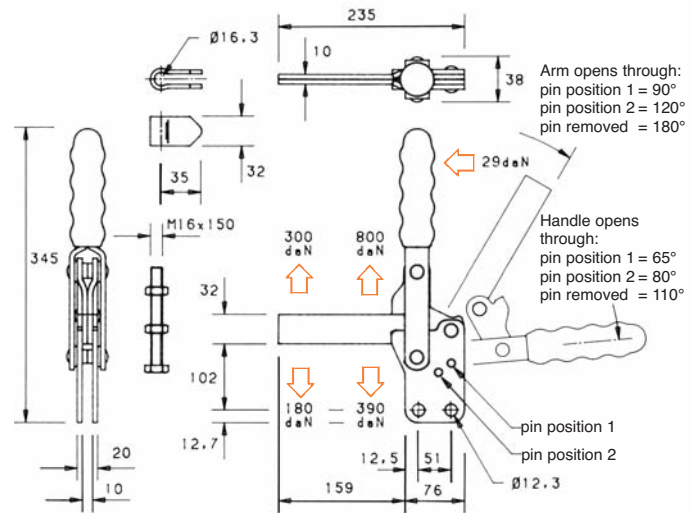
Weight:

2.20 Kg

Supplied complete with:

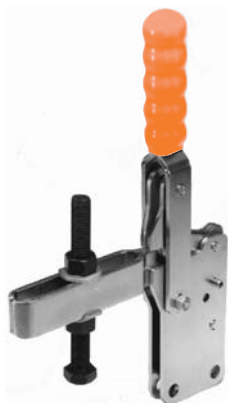
MB16150 Setscrew & nuts.
R/16 spindle retainer.

See "Accessories" for other items.



V550 SERIES

MODEL V550/1B



Arm:

The spindle is adjustable along the arm.

Base:

Straight.

Nominal Holding Force:

550 daN

Weight:

2.40 Kg

Supplied complete with:

MB16150 Setscrew & nuts.
FW16/27 Flanged washers.

See "Accessories" for other items.

