

VERTICAL CLAMPS

V75 SERIES

MODEL V75/2BSS



Arm:
The spindle position is adjustable along the arm.

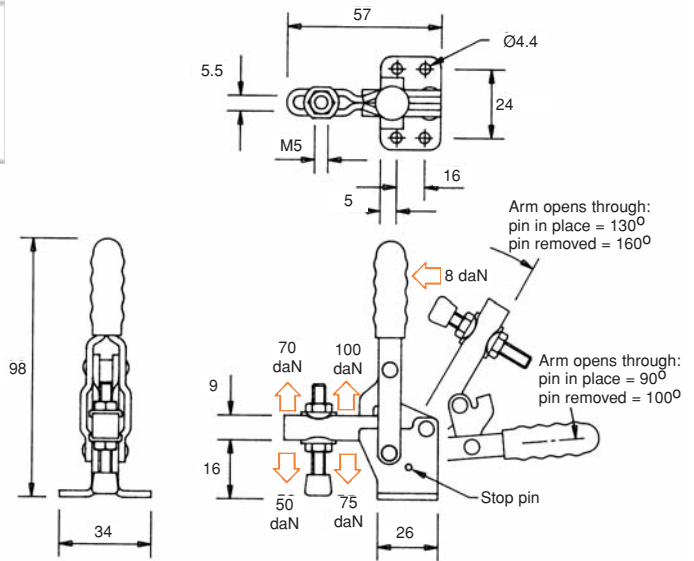
Base:
Flanged.

Nominal Holding Force:
75 daN

Weight:
0.05 Kg

Supplied complete with:
Setscrew & nuts.
Neoprene cover.
Flanged washers.

Material:
BS 304 S15



V100 SERIES

MODEL V100/1B



Arm:
The spindle position is adjustable along the arm.

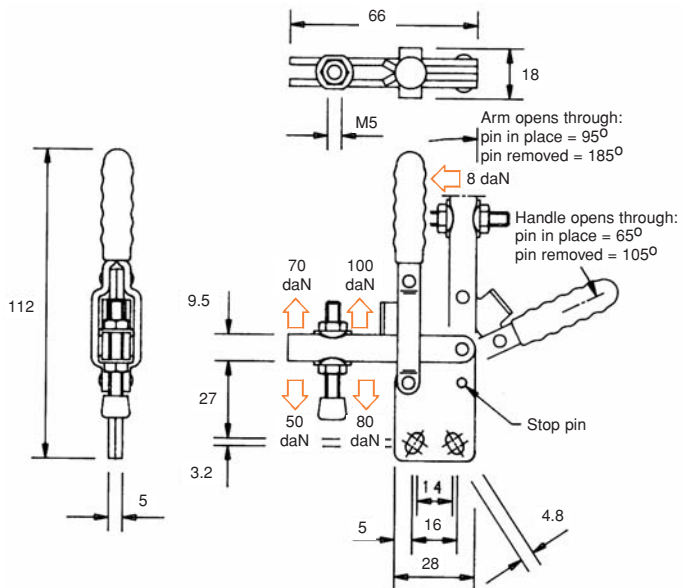
Base:
Straight.

Nominal Holding Force:
100 daN

Weight:
1.10 Kg

Supplied complete with:
MB0535 Setscrew & nuts.
NC/05 Neoprene cover.
FW05/10 Flanged washers.

See "Accessories" for other items.



V100 SERIES

MODEL V100/1C



Arm:
The spindle is in a fixed position.

Base:
Straight.

Nominal Holding Force:
100 daN

Weight:
0.10 Kg

Supplied complete with:
MB0535 Setscrew & nuts.
NC/05 Neoprene cover.

See "Accessories" for other items.

