

VERTICAL CLAMPS

V300 SERIES

MODEL V300/3C



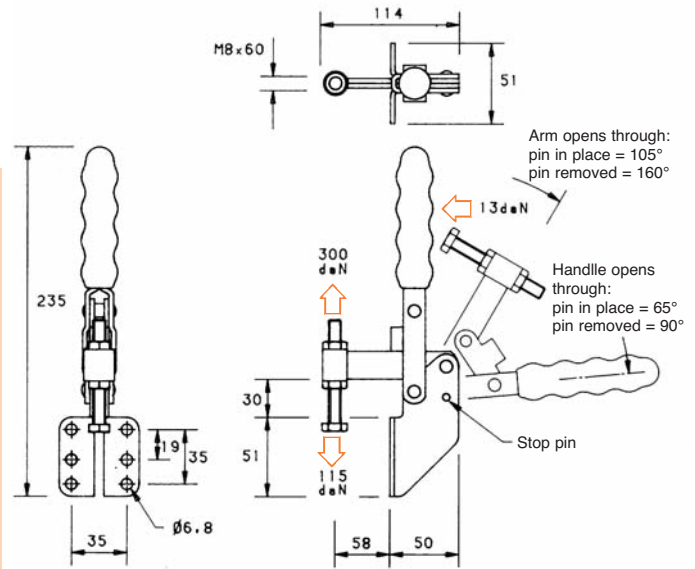
Arm:
The spindle is in a fixed position.

Base:
Front mounting.

Nominal Holding Force:
300 daN

Weight:
0.50 Kg

Supplied complete with:
MB0860 Setscrew & nuts.
See "Accessories" for other items.



V350 SERIES

MODEL V350/1A



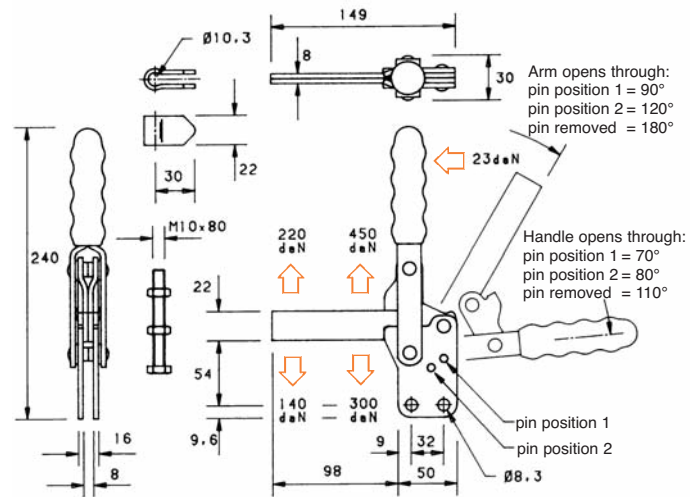
Arm:
Solid with spindle retainer supplied loose for welding in the desired position.

Base:
Straight.

Nominal Holding Force:
350 daN

Weight:
0.80 Kg

Supplied complete with:
MB1080 Setscrew & nuts.
R/10 Spindle retainer.
See "Accessories" for other items.



V350 SERIES

MODEL V350/1B



Arm:
The spindle position is adjustable along the arm.

Base:
Straight.

Nominal Holding Force:
350 daN

Weight:
0.80 Kg

Supplied complete with:
MB1080 Setscrew & nuts.
FW10/20 Flanged washers.
See "Accessories" for other items.

