

HORIZONTAL CLAMPS

H250 SERIES

MODEL H250/1A



Arm:
2-piece "solid" arm with spindle retainer supplied loose for welding in the desired position.

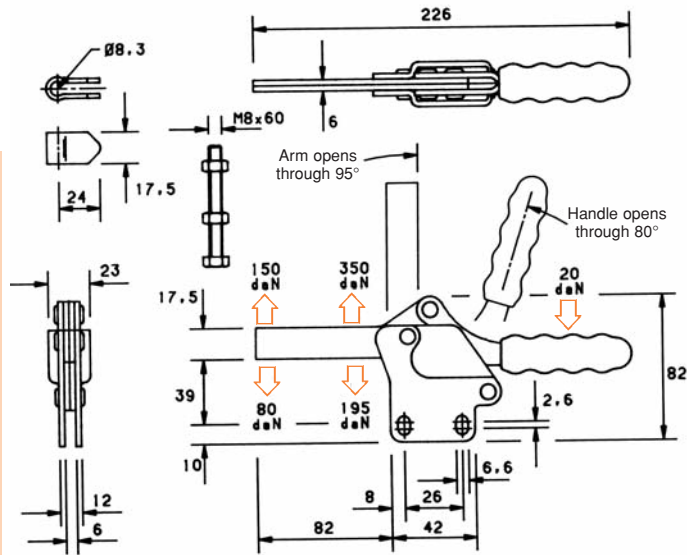
Base:
Straight.

Nominal Holding Force:
250 daN

Weight:
0.50 Kg

Supplied complete with:
MB0860 Setscrew & nuts.
R/08 Spindle retainer.

See "Accessories" for other items.



H250 SERIES

MODEL H250/1AL



Arm:
Solid arm with spindle retainer supplied loose for welding in the desired position. 10mm added to arm length over H250/1A model.

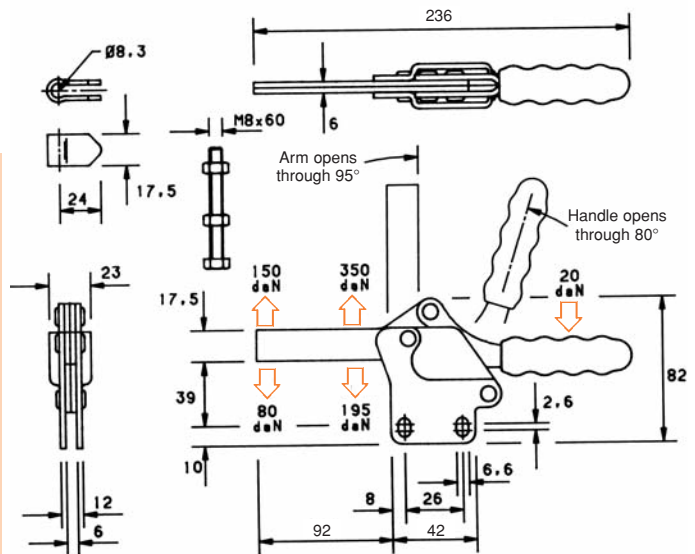
Base:
Straight.

Nominal Holding Force:
250 daN

Weight:
0.50 Kg

Supplied complete with:
MB0860 Setscrew & nuts.
R/08 Spindle retainer.

See "Accessories" for other items.



H250 SERIES

MODEL H250/1B



for "T" Bar Accessory order Model T250



Arm:
The spindle position is adjustable along the arm.

Base:
Straight.

Nominal Holding Force:
250 daN

Weight:
0.50 Kg

Supplied complete with:
MB0860 Setscrew & nuts.
FW08/15 Flanged washers.

See "Accessories" for other items.

