

ADDITIONAL HORIZONTAL CLAMPING PRODUCTS

MODEL H100/2C



Arm:
The spindle is in a fixed position.

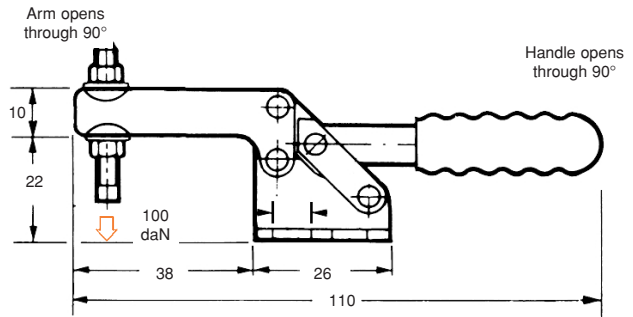
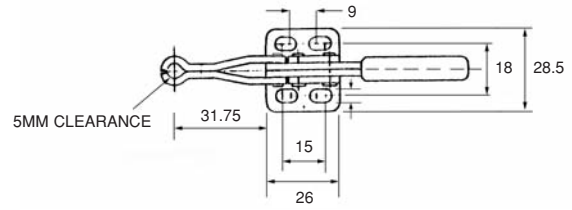
Base:
Flanged.

Nominal Holding Force:
100 daN

Weight:
0.085 Kg

Supplied complete with:
standard spindle, nuts and flanged washers

See "Accessories" for other items.



MODEL H100/3B



Arm:
The spindle position is adjustable along the arm.

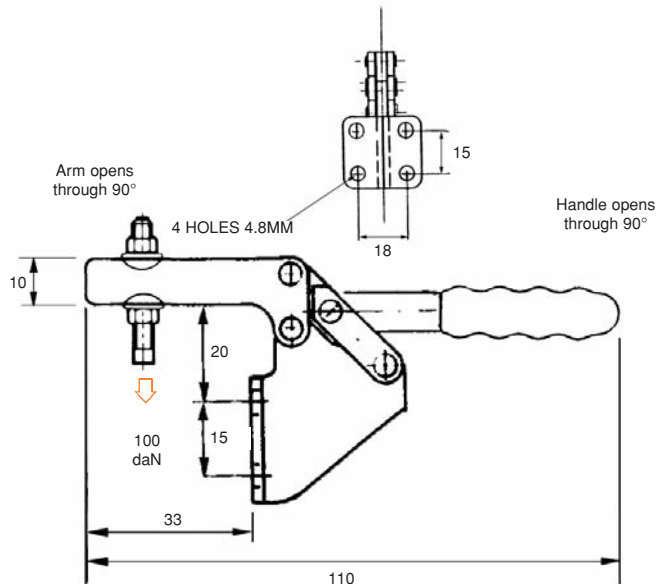
Base:
Front mounting.

Nominal Holding Force:
100 daN

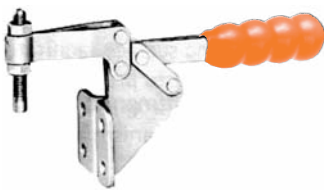
Weight:
0.085 Kg

Supplied complete with:
standard spindle, nuts and flanged washers

See "Accessories" for other items.



MODEL H100/3C



Arm:
The spindle is in a fixed position.

Base:
Front mounting.

Nominal Holding Force:
100 daN

Weight:
0.085 Kg

Supplied complete with:
standard spindle, nuts and flanged washers

See "Accessories" for other items.

