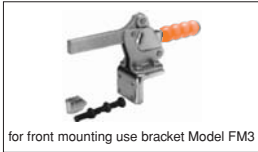


HORIZONTAL CLAMPS

H450 SERIES

MODEL H450/2A



for front mounting use bracket Model FM3



Arm:
Solid with spindle retainer supplied loose for welding in the desired position.

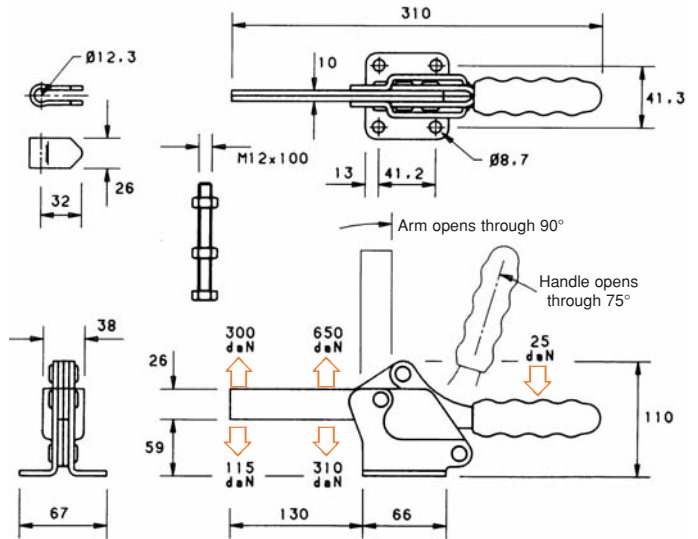
Base:
Flanged.

Nominal Holding Force:
450 daN

Weight:
1.60 Kg

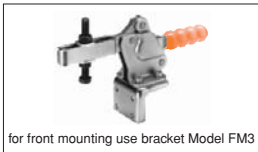
Supplied complete with:
MB12100 Setscrew & nuts.
R/12 Spindle retainer.

See "Accessories" for other items.



H450 SERIES

MODEL H450/2B



for front mounting use bracket Model FM3



Arm:
The spindle position is adjustable along the arm.

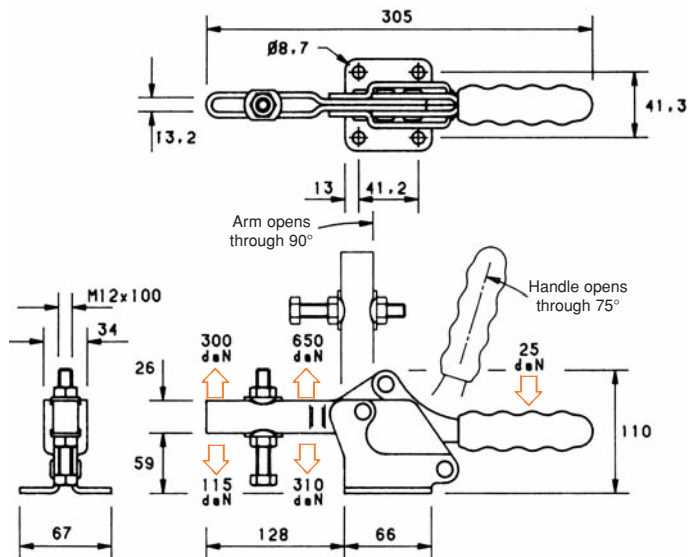
Base:
Flanged.

Nominal Holding Force:
450 daN

Weight:
1.60 Kg

Supplied complete with:
MB12100 Setscrew & nuts.
FW12/23 Flanged washers.

See "Accessories" for other items.



H700 SERIES

MODEL H700



for 'T' Bar Accessory order Model T450



Arm:
The spindle position is adjustable along the arm.

Base:
Flanged.

Nominal Holding Force:
700 daN

Weight:
1.15 Kg

Supplied complete with:
MB12100 Setscrew & nuts.
FW12/23 Flanged washers.
This heavy duty clamp features a cast steel base with central hole for optional "tee" bolt mounting.

See "Accessories" for other items.

