

Aretační čepy ECO z oceli nebo nerezové oceli, s plastovým hříbovitým úchytem

Popis zboží/obrázky produktu



Popis

Popis výrobku:

Aretační čepy se užívají tam, kde je třeba zabránit změně aretačního nastavení působením příčných sil. Teprve po ručním vysunutí čepu je možné nastavit jinou aretační polohu.

Materiál:

Ocelové provedení:
Závitové pouzdro 1.0715.
Aretační kolík 1.4305.

Nerezové provedení:
Závitové pouzdro 1.4305.
Aretační kolík 1.4305.

Úchytka hříbovitého tvaru: tmavošedý termoplast RAL 7021.

Provedení:

Ocelové provedení:
Aretační kolík netvrzený.
Závitové pouzdro, modře pasivované.
Aretační kolík bez povrchové úpravy.

Nerezové provedení:
Aretační kolík, nekalený.
Ocelové části bez povrchové úpravy.

Upozornění:

Má-li se vysunutí provádět po delší době a je přitom třeba zamezit zpětnému zaskočení aretačního kolíku, je nutné použít provedení C nebo provedení D.

Při montáži je třeba dbát na uvedený max. utahovací moment.

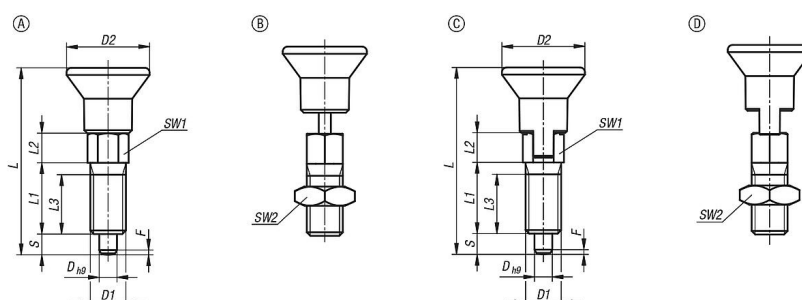
Na vyžádání:

Nadstandardní provedení.

Odkaz na výkres:

Provedení A: bez aretační drážky, bez protimatice
Provedení B: bez aretační drážky, s protimaticí
Provedení C: s aretační drážkou, bez protimatice
Provedení D: s aretační drážkou, s protimaticí

Výkresy



Aretační čepy ECO z oceli nebo nerezové oceli, s plastovým hříbovitým úchytem

Přehled zboží

Aretační čepy ECO

| Objednací číslo | Provedení | Materiál základní těleso | D | D1 | D2 | L | L1 | L2 | L3 | Zdvih S | SW1 | SW2 | F x 30° | Síla pružiny začátek F1 cca N | Síla pružiny konec F2 cca N | Utahovací moment max. Nm |
|-----------------|-----------|--------------------------|---|---------|----|------|----|----|----|---------|-----|-----|---------|-------------------------------|-----------------------------|--------------------------|
| K0747.01903060 | A | ocel | 3 | M6 | 14 | 31,5 | 12 | 5 | 10 | 3,5 | 6 | | 0,8 | 4 | 10 | 2 |
| K0747.01004060 | A | ocel | 4 | M6 | 14 | 36 | 15 | 6 | 13 | 4 | 6 | | 1 | 6 | 12 | 2 |
| K0747.01004080 | A | ocel | 4 | M8 | 14 | 36 | 15 | 6 | 13 | 4 | 8 | | 1 | 6 | 12 | 7 |
| K0747.01105080 | A | ocel | 5 | M8 | 14 | 40 | 17 | 7 | 15 | 5 | 8 | | 1,3 | 6 | 12 | 7 |
| K0747.01105100 | A | ocel | 5 | M10 | 18 | 42,5 | 17 | 7 | 15 | 5 | 10 | | 1,3 | 6 | 12 | 15 |
| K0747.01206100 | A | ocel | 6 | M10 | 18 | 47,5 | 20 | 8 | 17 | 6 | 10 | | 1,8 | 8 | 15 | 15 |
| K0747.01206120 | A | ocel | 6 | M12 | 25 | 51,7 | 20 | 8 | 17 | 6 | 12 | | 1,8 | 8 | 15 | 20 |
| K0747.01308120 | A | ocel | 8 | M12 | 25 | 61,7 | 26 | 10 | 23 | 8 | 12 | | 2,3 | 8 | 19 | 20 |
| K0747.11903060 | A | nerezová ocel | 3 | M6 | 14 | 31,5 | 12 | 5 | 10 | 3,5 | 6 | | 0,8 | 4 | 10 | 2 |
| K0747.11004060 | A | nerezová ocel | 4 | M6 | 14 | 36 | 15 | 6 | 13 | 4 | 6 | | 1 | 6 | 12 | 2 |
| K0747.11004080 | A | nerezová ocel | 4 | M8 | 14 | 36 | 15 | 6 | 13 | 4 | 8 | | 1 | 6 | 12 | 7 |
| K0747.11105080 | A | nerezová ocel | 5 | M8 | 14 | 40 | 17 | 7 | 15 | 5 | 8 | | 1,3 | 6 | 12 | 7 |
| K0747.11105100 | A | nerezová ocel | 5 | M10 | 18 | 42,5 | 17 | 7 | 15 | 5 | 10 | | 1,3 | 6 | 12 | 15 |
| K0747.11206100 | A | nerezová ocel | 6 | M10 | 18 | 47,5 | 20 | 8 | 17 | 6 | 10 | | 1,8 | 8 | 15 | 15 |
| K0747.11206120 | A | nerezová ocel | 6 | M12 | 25 | 51,7 | 20 | 8 | 17 | 6 | 12 | | 1,8 | 8 | 15 | 20 |
| K0747.11308120 | A | nerezová ocel | 8 | M12 | 25 | 61,7 | 26 | 10 | 23 | 8 | 12 | | 2,3 | 8 | 19 | 20 |
| K0747.01903061 | A | ocel | 3 | M6x0,75 | 14 | 31,5 | 12 | 5 | 10 | 3,5 | 6 | | 0,8 | 4 | 10 | 2 |
| K0747.01004061 | A | ocel | 4 | M6x0,75 | 14 | 36 | 15 | 6 | 13 | 4 | 6 | | 1 | 6 | 12 | 2 |
| K0747.01004081 | A | ocel | 4 | M8x1 | 14 | 36 | 15 | 6 | 13 | 4 | 8 | | 1 | 6 | 12 | 7 |
| K0747.01105081 | A | ocel | 5 | M8x1 | 14 | 40 | 17 | 7 | 15 | 5 | 8 | | 1,3 | 6 | 12 | 7 |
| K0747.01105101 | A | ocel | 5 | M10x1 | 18 | 42,5 | 17 | 7 | 15 | 5 | 10 | | 1,3 | 6 | 12 | 15 |
| K0747.01206101 | A | ocel | 6 | M10x1 | 18 | 47,5 | 20 | 8 | 17 | 6 | 10 | | 1,8 | 8 | 15 | 15 |
| K0747.01206121 | A | ocel | 6 | M12x1,5 | 25 | 51,7 | 20 | 8 | 17 | 6 | 12 | | 1,8 | 8 | 15 | 20 |
| K0747.01308121 | A | ocel | 8 | M12x1,5 | 25 | 61,7 | 26 | 10 | 23 | 8 | 12 | | 2,3 | 8 | 19 | 20 |
| K0747.11903061 | A | nerezová ocel | 3 | M6x0,75 | 14 | 31,5 | 12 | 5 | 10 | 3,5 | 6 | | 0,8 | 4 | 10 | 2 |
| K0747.11004061 | A | nerezová ocel | 4 | M6x0,75 | 14 | 36 | 15 | 6 | 13 | 4 | 6 | | 1 | 6 | 12 | 2 |
| K0747.11004081 | A | nerezová ocel | 4 | M8x1 | 14 | 36 | 15 | 6 | 13 | 4 | 8 | | 1 | 6 | 12 | 7 |
| K0747.11105081 | A | nerezová ocel | 5 | M8x1 | 14 | 40 | 17 | 7 | 15 | 5 | 8 | | 1,3 | 6 | 12 | 7 |
| K0747.11105101 | A | nerezová ocel | 5 | M10x1 | 18 | 42,5 | 17 | 7 | 15 | 5 | 10 | | 1,3 | 6 | 12 | 15 |
| K0747.11206101 | A | nerezová ocel | 6 | M10x1 | 18 | 47,5 | 20 | 8 | 17 | 6 | 10 | | 1,8 | 8 | 15 | 15 |
| K0747.11206121 | A | nerezová ocel | 6 | M12x1,5 | 25 | 51,7 | 20 | 8 | 17 | 6 | 12 | | 1,8 | 8 | 15 | 20 |
| K0747.11308121 | A | nerezová ocel | 8 | M12x1,5 | 25 | 61,7 | 26 | 10 | 23 | 8 | 12 | | 2,3 | 8 | 19 | 20 |
| K0747.02903060 | B | ocel | 3 | M6 | 14 | 31,5 | 12 | 5 | 10 | 3,5 | 6 | 10 | 0,8 | 4 | 10 | 2 |
| K0747.02004060 | B | ocel | 4 | M6 | 14 | 36 | 15 | 6 | 13 | 4 | 6 | 10 | 1 | 6 | 12 | 2 |
| K0747.02004080 | B | ocel | 4 | M8 | 14 | 36 | 15 | 6 | 13 | 4 | 8 | 13 | 1 | 6 | 12 | 7 |
| K0747.02105080 | B | ocel | 5 | M8 | 14 | 40 | 17 | 7 | 15 | 5 | 8 | 13 | 1,3 | 6 | 12 | 7 |
| K0747.02105100 | B | ocel | 5 | M10 | 18 | 42,5 | 17 | 7 | 15 | 5 | 10 | 17 | 1,3 | 6 | 12 | 15 |
| K0747.02206100 | B | ocel | 6 | M10 | 18 | 47,5 | 20 | 8 | 17 | 6 | 10 | 17 | 1,8 | 8 | 15 | 15 |
| K0747.02206120 | B | ocel | 6 | M12 | 25 | 51,7 | 20 | 8 | 17 | 6 | 12 | 19 | 1,8 | 8 | 15 | 20 |
| K0747.02308120 | B | ocel | 8 | M12 | 25 | 61,7 | 26 | 10 | 23 | 8 | 12 | 19 | 2,3 | 8 | 19 | 20 |
| K0747.12903060 | B | nerezová ocel | 3 | M6 | 14 | 31,5 | 12 | 5 | 10 | 3,5 | 6 | 10 | 0,8 | 4 | 10 | 2 |
| K0747.12004060 | B | nerezová ocel | 4 | M6 | 14 | 36 | 15 | 6 | 13 | 4 | 6 | 10 | 1 | 6 | 12 | 2 |
| K0747.12004080 | B | nerezová ocel | 4 | M8 | 14 | 36 | 15 | 6 | 13 | 4 | 8 | 13 | 1 | 6 | 12 | 7 |
| K0747.12105080 | B | nerezová ocel | 5 | M8 | 14 | 40 | 17 | 7 | 15 | 5 | 8 | 13 | 1,3 | 6 | 12 | 7 |
| K0747.12105100 | B | nerezová ocel | 5 | M10 | 18 | 42,5 | 17 | 7 | 15 | 5 | 10 | 17 | 1,3 | 6 | 12 | 15 |
| K0747.12206100 | B | nerezová ocel | 6 | M10 | 18 | 47,5 | 20 | 8 | 17 | 6 | 10 | 17 | 1,8 | 8 | 15 | 15 |
| K0747.12206120 | B | nerezová ocel | 6 | M12 | 25 | 51,7 | 20 | 8 | 17 | 6 | 12 | 19 | 1,8 | 8 | 15 | 20 |
| K0747.12308120 | B | nerezová ocel | 8 | M12 | 25 | 61,7 | 26 | 10 | 23 | 8 | 12 | 19 | 2,3 | 8 | 19 | 20 |
| K0747.02903061 | B | ocel | 3 | M6x0,75 | 14 | 31,5 | 12 | 5 | 10 | 3,5 | 6 | 10 | 0,8 | 4 | 10 | 2 |
| K0747.02004061 | B | ocel | 4 | M6x0,75 | 14 | 36 | 15 | 6 | 13 | 4 | 6 | 10 | 1 | 6 | 12 | 2 |
| K0747.02004081 | B | ocel | 4 | M8x1 | 14 | 36 | 15 | 6 | 13 | 4 | 8 | 13 | 1 | 6 | 12 | 7 |
| K0747.02105081 | B | ocel | 5 | M8x1 | 14 | 40 | 17 | 7 | 15 | 5 | 8 | 13 | 1,3 | 6 | 12 | 7 |
| K0747.02105101 | B | ocel | 5 | M10x1 | 18 | 42,5 | 17 | 7 | 15 | 5 | 10 | 17 | 1,3 | 6 | 12 | 15 |
| K0747.02206101 | B | ocel | 6 | M10x1 | 18 | 47,5 | 20 | 8 | 17 | 6 | 10 | 17 | 1,8 | 8 | 15 | 15 |
| K0747.02206121 | B | ocel | 6 | M12x1,5 | 25 | 51,7 | 20 | 8 | 17 | 6 | 12 | 19 | 1,8 | 8 | 15 | 20 |
| K0747.02308121 | B | ocel | 8 | M12x1,5 | 25 | 61,7 | 26 | 10 | 23 | 8 | 12 | 19 | 2,3 | 8 | 19 | 20 |
| K0747.12903061 | B | nerezová ocel | 3 | M6x0,75 | 14 | 31,5 | 12 | 5 | 10 | 3,5 | 6 | 10 | 0,8 | 4 | 10 | 2 |
| K0747.12004061 | B | nerezová ocel | 4 | M6x0,75 | 14 | 36 | 15 | 6 | 13 | 4 | 6 | 10 | 1 | 6 | 12 | 2 |
| K0747.12004081 | B | nerezová ocel | 4 | M8x1 | 14 | 36 | 15 | 6 | 13 | 4 | 8 | 13 | 1 | 6 | 12 | 7 |

Aretační čepy ECO z oceli nebo nerezové oceli, s plastovým hříbovitým úchytem

Přehled zboží

| Objednáací číslo | Provedení | Materiál základní těleso | D | D1 | D2 | L | L1 | L2 | L3 | Zdvih S | SW1 | SW2 | F x 30° | Síla pružiny začátek F1 cca N | Síla pružiny konec F2 cca N | Utahovací moment max. Nm |
|------------------|-----------|--------------------------|---|---------|----|------|----|----|----|---------|-----|-----|---------|-------------------------------|-----------------------------|--------------------------|
| K0747.12105081 | B | nerezová ocel | 5 | M8x1 | 14 | 40 | 17 | 7 | 15 | 5 | 8 | 13 | 1,3 | 6 | 12 | 7 |
| K0747.12105101 | B | nerezová ocel | 5 | M10x1 | 18 | 42,5 | 17 | 7 | 15 | 5 | 10 | 17 | 1,3 | 6 | 12 | 15 |
| K0747.12206101 | B | nerezová ocel | 6 | M10x1 | 18 | 47,5 | 20 | 8 | 17 | 6 | 10 | 17 | 1,8 | 8 | 15 | 15 |
| K0747.12206121 | B | nerezová ocel | 6 | M12x1,5 | 25 | 51,7 | 20 | 8 | 17 | 6 | 12 | 19 | 1,8 | 8 | 15 | 20 |
| K0747.12308121 | B | nerezová ocel | 8 | M12x1,5 | 25 | 61,7 | 26 | 10 | 23 | 8 | 12 | 19 | 2,3 | 8 | 19 | 20 |
| K0747.03903060 | C | ocel | 3 | M6 | 14 | 31,5 | 12 | 5 | 10 | 3,5 | 6 | | 0,8 | 4 | 10 | 2 |
| K0747.03004060 | C | ocel | 4 | M6 | 14 | 36 | 15 | 6 | 13 | 4 | 6 | | 1 | 6 | 12 | 2 |
| K0747.03004080 | C | ocel | 4 | M8 | 14 | 36 | 15 | 6 | 13 | 4 | 8 | | 1 | 6 | 12 | 7 |
| K0747.03105080 | C | ocel | 5 | M8 | 14 | 40 | 17 | 7 | 15 | 5 | 8 | | 1,3 | 6 | 12 | 7 |
| K0747.03105100 | C | ocel | 5 | M10 | 18 | 42,5 | 17 | 7 | 15 | 5 | 10 | | 1,3 | 6 | 12 | 15 |
| K0747.03206100 | C | ocel | 6 | M10 | 18 | 47,5 | 20 | 8 | 17 | 6 | 10 | | 1,8 | 8 | 15 | 15 |
| K0747.03206120 | C | ocel | 6 | M12 | 25 | 51,7 | 20 | 8 | 17 | 6 | 12 | | 1,8 | 8 | 15 | 20 |
| K0747.03308120 | C | ocel | 8 | M12 | 25 | 61,7 | 26 | 10 | 23 | 8 | 12 | | 2,3 | 8 | 19 | 20 |
| K0747.13903060 | C | nerezová ocel | 3 | M6 | 14 | 31,5 | 12 | 5 | 10 | 3,5 | 6 | | 0,8 | 4 | 10 | 2 |
| K0747.13004060 | C | nerezová ocel | 4 | M6 | 14 | 36 | 15 | 6 | 13 | 4 | 6 | | 1 | 6 | 12 | 2 |
| K0747.13004080 | C | nerezová ocel | 4 | M8 | 14 | 36 | 15 | 6 | 13 | 4 | 8 | | 1 | 6 | 12 | 7 |
| K0747.13105080 | C | nerezová ocel | 5 | M8 | 14 | 40 | 17 | 7 | 15 | 5 | 8 | | 1,3 | 6 | 12 | 7 |
| K0747.13105100 | C | nerezová ocel | 5 | M10 | 18 | 42,5 | 17 | 7 | 15 | 5 | 10 | | 1,3 | 6 | 12 | 15 |
| K0747.13206100 | C | nerezová ocel | 6 | M10 | 18 | 47,5 | 20 | 8 | 17 | 6 | 10 | | 1,8 | 8 | 15 | 15 |
| K0747.13206120 | C | nerezová ocel | 6 | M12 | 25 | 51,7 | 20 | 8 | 17 | 6 | 12 | | 1,8 | 8 | 15 | 20 |
| K0747.13308120 | C | nerezová ocel | 8 | M12 | 25 | 61,7 | 26 | 10 | 23 | 8 | 12 | | 2,3 | 8 | 19 | 20 |
| K0747.03903061 | C | ocel | 3 | M6x0,75 | 14 | 31,5 | 12 | 5 | 10 | 3,5 | 6 | | 0,8 | 4 | 10 | 2 |
| K0747.03004061 | C | ocel | 4 | M6x0,75 | 14 | 36 | 15 | 6 | 13 | 4 | 6 | | 1 | 6 | 12 | 2 |
| K0747.03004081 | C | ocel | 4 | M8x1 | 14 | 36 | 15 | 6 | 13 | 4 | 8 | | 1 | 6 | 12 | 7 |
| K0747.03105081 | C | ocel | 5 | M8x1 | 14 | 40 | 17 | 7 | 15 | 5 | 8 | | 1,3 | 6 | 12 | 7 |
| K0747.03105101 | C | ocel | 5 | M10x1 | 18 | 42,5 | 17 | 7 | 15 | 5 | 10 | | 1,3 | 6 | 12 | 15 |
| K0747.03206101 | C | ocel | 6 | M10x1 | 18 | 47,5 | 20 | 8 | 17 | 6 | 10 | | 1,8 | 8 | 15 | 15 |
| K0747.03206121 | C | ocel | 6 | M12x1,5 | 25 | 51,7 | 20 | 8 | 17 | 6 | 12 | | 1,8 | 8 | 15 | 20 |
| K0747.03308121 | C | ocel | 8 | M12x1,5 | 25 | 61,7 | 26 | 10 | 23 | 8 | 12 | | 2,3 | 8 | 19 | 20 |
| K0747.13903061 | C | nerezová ocel | 3 | M6x0,75 | 14 | 31,5 | 12 | 5 | 10 | 3,5 | 6 | | 0,8 | 4 | 10 | 2 |
| K0747.13004061 | C | nerezová ocel | 4 | M6x0,75 | 14 | 36 | 15 | 6 | 13 | 4 | 6 | | 1 | 6 | 12 | 2 |
| K0747.13004081 | C | nerezová ocel | 4 | M8x1 | 14 | 36 | 15 | 6 | 13 | 4 | 8 | | 1 | 6 | 12 | 7 |
| K0747.13105081 | C | nerezová ocel | 5 | M8x1 | 14 | 40 | 17 | 7 | 15 | 5 | 8 | | 1,3 | 6 | 12 | 7 |
| K0747.13105101 | C | nerezová ocel | 5 | M10x1 | 18 | 42,5 | 17 | 7 | 15 | 5 | 10 | | 1,3 | 6 | 12 | 15 |
| K0747.13206101 | C | nerezová ocel | 6 | M10x1 | 18 | 47,5 | 20 | 8 | 17 | 6 | 10 | | 1,8 | 8 | 15 | 15 |
| K0747.13206121 | C | nerezová ocel | 6 | M12x1,5 | 25 | 51,7 | 20 | 8 | 17 | 6 | 12 | | 1,8 | 8 | 15 | 20 |
| K0747.13308121 | C | nerezová ocel | 8 | M12x1,5 | 25 | 61,7 | 26 | 10 | 23 | 8 | 12 | | 2,3 | 8 | 19 | 20 |
| K0747.04903060 | D | ocel | 3 | M6 | 14 | 31,5 | 12 | 5 | 10 | 3,5 | 6 | 10 | 0,8 | 4 | 10 | 2 |
| K0747.04004060 | D | ocel | 4 | M6 | 14 | 36 | 15 | 6 | 13 | 4 | 6 | 10 | 1 | 6 | 12 | 2 |
| K0747.04004080 | D | ocel | 4 | M8 | 14 | 36 | 15 | 6 | 13 | 4 | 8 | 13 | 1 | 6 | 12 | 7 |
| K0747.04105080 | D | ocel | 5 | M8 | 14 | 40 | 17 | 7 | 15 | 5 | 8 | 13 | 1,3 | 6 | 12 | 7 |
| K0747.04105100 | D | ocel | 5 | M10 | 18 | 42,5 | 17 | 7 | 15 | 5 | 10 | 17 | 1,3 | 6 | 12 | 15 |
| K0747.04206100 | D | ocel | 6 | M10 | 18 | 47,5 | 20 | 8 | 17 | 6 | 10 | 17 | 1,8 | 8 | 15 | 15 |
| K0747.04206120 | D | ocel | 6 | M12 | 25 | 51,7 | 20 | 8 | 17 | 6 | 12 | 19 | 1,8 | 8 | 15 | 20 |
| K0747.04308120 | D | ocel | 8 | M12 | 25 | 61,7 | 26 | 10 | 23 | 8 | 12 | 19 | 2,3 | 8 | 19 | 20 |
| K0747.14903060 | D | nerezová ocel | 3 | M6 | 14 | 31,5 | 12 | 5 | 10 | 3,5 | 6 | 10 | 0,8 | 4 | 10 | 2 |
| K0747.14004060 | D | nerezová ocel | 4 | M6 | 14 | 36 | 15 | 6 | 13 | 4 | 6 | 10 | 1 | 6 | 12 | 2 |
| K0747.14004080 | D | nerezová ocel | 4 | M8 | 14 | 36 | 15 | 6 | 13 | 4 | 8 | 13 | 1 | 6 | 12 | 7 |
| K0747.14105080 | D | nerezová ocel | 5 | M8 | 14 | 40 | 17 | 7 | 15 | 5 | 8 | 13 | 1,3 | 6 | 12 | 7 |
| K0747.14105100 | D | nerezová ocel | 5 | M10 | 18 | 42,5 | 17 | 7 | 15 | 5 | 10 | 17 | 1,3 | 6 | 12 | 15 |
| K0747.14206100 | D | nerezová ocel | 6 | M10 | 18 | 47,5 | 20 | 8 | 17 | 6 | 10 | 17 | 1,8 | 8 | 15 | 15 |
| K0747.14206120 | D | nerezová ocel | 6 | M12 | 25 | 51,7 | 20 | 8 | 17 | 6 | 12 | 19 | 1,8 | 8 | 15 | 20 |
| K0747.14308120 | D | nerezová ocel | 8 | M12 | 25 | 61,7 | 26 | 10 | 23 | 8 | 12 | 19 | 2,3 | 8 | 19 | 20 |
| K0747.04903061 | D | ocel | 3 | M6x0,75 | 14 | 31,5 | 12 | 5 | 10 | 3,5 | 6 | 10 | 0,8 | 4 | 10 | 2 |
| K0747.04004061 | D | ocel | 4 | M6x0,75 | 14 | 36 | 15 | 6 | 13 | 4 | 6 | 10 | 1 | 6 | 12 | 2 |
| K0747.04004081 | D | ocel | 4 | M8x1 | 14 | 36 | 15 | 6 | 13 | 4 | 8 | 13 | 1 | 6 | 12 | 7 |
| K0747.04105081 | D | ocel | 5 | M8x1 | 14 | 40 | 17 | 7 | 15 | 5 | 8 | 13 | 1,3 | 6 | 12 | 7 |
| K0747.04105101 | D | ocel | 5 | M10x1 | 18 | 42,5 | 17 | 7 | 15 | 5 | 10 | 17 | 1,3 | 6 | 12 | 15 |
| K0747.04206101 | D | ocel | 6 | M10x1 | 18 | 47,5 | 20 | 8 | 17 | 6 | 10 | 17 | 1,8 | 8 | 15 | 15 |
| K0747.04206121 | D | ocel | 6 | M12x1,5 | 25 | 51,7 | 20 | 8 | 17 | 6 | 12 | 19 | 1,8 | 8 | 15 | 20 |
| K0747.04308121 | D | ocel | 8 | M12x1,5 | 25 | 61,7 | 26 | 10 | 23 | 8 | 12 | 19 | 2,3 | 8 | 19 | 20 |

Aretační čepy ECO z oceli nebo nerezové oceli, s plastovým hřibovitým úchytem

Přehled zboží

| Objednací číslo | Provedení | Materiál základní těleso | D | D1 | D2 | L | L1 | L2 | L3 | Zdvih S | SW1 | SW2 | F x 30° | Síla pružiny začátek F1 cca N | Síla pružiny konec F2 cca N | Utahovací moment max. Nm |
|-----------------|-----------|--------------------------|---|---------|----|------|----|----|----|---------|-----|-----|---------|-------------------------------|-----------------------------|--------------------------|
| K0747.14903061 | D | nerezová ocel | 3 | M6x0,75 | 14 | 31,5 | 12 | 5 | 10 | 3,5 | 6 | 10 | 0,8 | 4 | 10 | 2 |
| K0747.14004061 | D | nerezová ocel | 4 | M6x0,75 | 14 | 36 | 15 | 6 | 13 | 4 | 6 | 10 | 1 | 6 | 12 | 2 |
| K0747.14004081 | D | nerezová ocel | 4 | M8x1 | 14 | 36 | 15 | 6 | 13 | 4 | 8 | 13 | 1 | 6 | 12 | 7 |
| K0747.14105081 | D | nerezová ocel | 5 | M8x1 | 14 | 40 | 17 | 7 | 15 | 5 | 8 | 13 | 1,3 | 6 | 12 | 7 |
| K0747.14105101 | D | nerezová ocel | 5 | M10x1 | 18 | 42,5 | 17 | 7 | 15 | 5 | 10 | 17 | 1,3 | 6 | 12 | 15 |
| K0747.14206101 | D | nerezová ocel | 6 | M10x1 | 18 | 47,5 | 20 | 8 | 17 | 6 | 10 | 17 | 1,8 | 8 | 15 | 15 |
| K0747.14206121 | D | nerezová ocel | 6 | M12x1,5 | 25 | 51,7 | 20 | 8 | 17 | 6 | 12 | 19 | 1,8 | 8 | 15 | 20 |
| K0747.14308121 | D | nerezová ocel | 8 | M12x1,5 | 25 | 61,7 | 26 | 10 | 23 | 8 | 12 | 19 | 2,3 | 8 | 19 | 20 |