

Reduction piece with hexagon

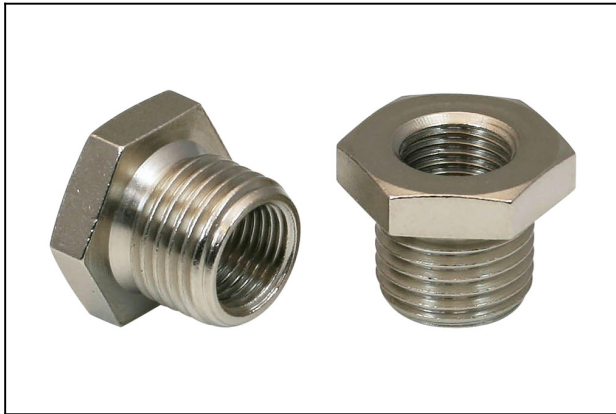
RED-STK G1/4-AG G1/8-IG MS-V

Part no.:10.08.04.00091

<https://www.schmalz.com/10.08.04.00091>

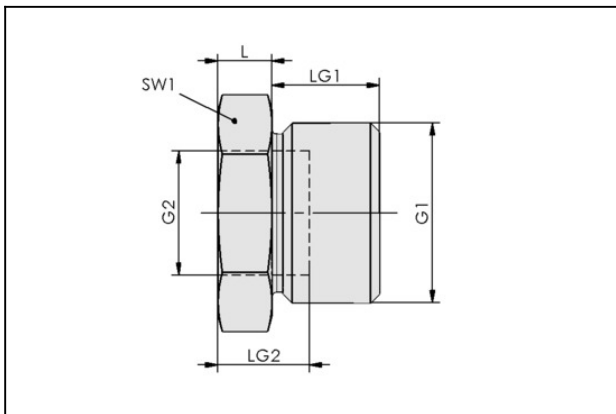
Homepage > Vacuum Technology for Automation > Vacuum Components > Filters and Connections > Hoses and Connectors > Accessories for Screw Unions > RED-STK G1/4-AG G1/8-IG MS-V

Reduction piece with hexagon



Thread G1: G1/4"-M
 Thread G2: G1/8"-F
 Length L: 4 mm
 Material: Brass
 Surface: nickel plated

Design Data



Attribute	Value
G1	G1/4"-M
G2	G1/8"-F
L	4 mm
LG1	10 mm
LG2	14 mm
SW1	17 mm

Technical Data

Attribute	Value
Material	Brass
Weight	11 g

Contact to Schmalz

J. Schmalz GmbH | Johannes-Schmalz-Straße, 72293 Glatten, Deutschland | +49 7443 2403-102 | customercenter@schmalz.de

Reduction piece with hexagon

RED-STK G1/4-AG G1/8-IG MS-V

Part no.:10.08.04.00091

<https://www.schmalz.com/10.08.04.00091>

