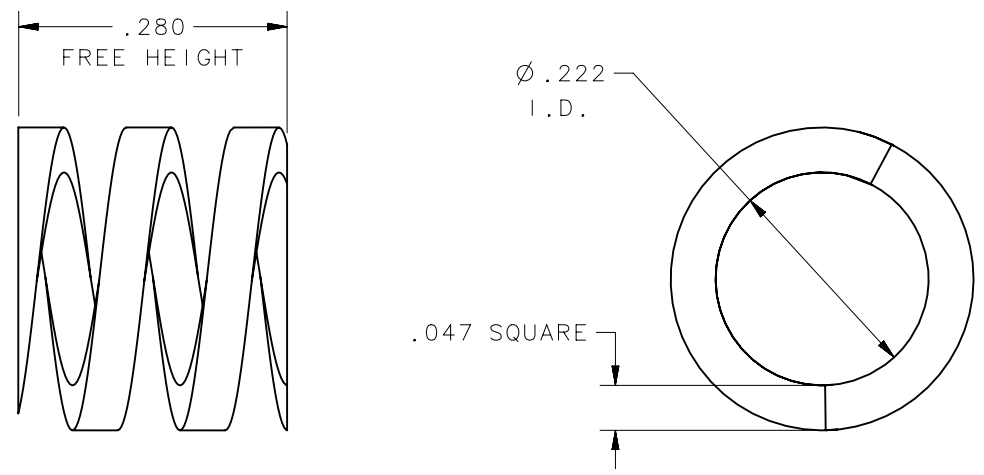


REVISION HISTORY			
REV	DATE	BY	DESCRIPTION
A	23FEB2015	CMS/JCG	PRN: P2015-0259



SCALE 1:1



3519-24776-Z3CT	D5-PS35X776ZCTNA	.047 SQUARE MUSIC WIRE	ZINC PLATE, BRIGHT CHROMATE PLUS SEALER
3519-24776-Z3BT	D5-PS35X776ZBTNA		ZINC PLATE, BLACK CHROMATE PLUS SEALER
3519-24776-C3C	D5-PS35X776CBCNA		CADMIUM ELECTROPLATED
DFCI PART NUMBER	SOUTHCO PART NUMBER	MATERIAL	FINISH

	THIRD ANGLE PROJECTION	 CONNECT • CREATE • INNOVATE	
CAGE CODE	INCHES [MM]		
SURFACE AREA	TOLERANCES UNLESS OTHERWISE NOTED	DESCRIPTION	
VOLUME	ALL DIMENSIONS WITHOUT TOLERANCES ARE FOR REFERENCE ONLY.	SQUARE SPRING	
PROPRIETARY ITEM <small>EXCEPT FOR USES EXPRESSLY GRANTED IN WRITING, INFORMATION DISCLOSED HEREON IS CONFIDENTIAL AND ALL RIGHTS, PATENT AND OTHERWISE, ARE RESERVED BY SOUTHCO, INC.</small>	PER ASME Y14.5M-1994	SIZE A	SYSTEM NX
		DWG NO. J-D5-PS35X776NA	
		DRAWN BY CMS/JCG	DATE 04FEB2015
		SCALE 5:1	SHEET 1 OF 1