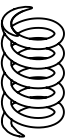
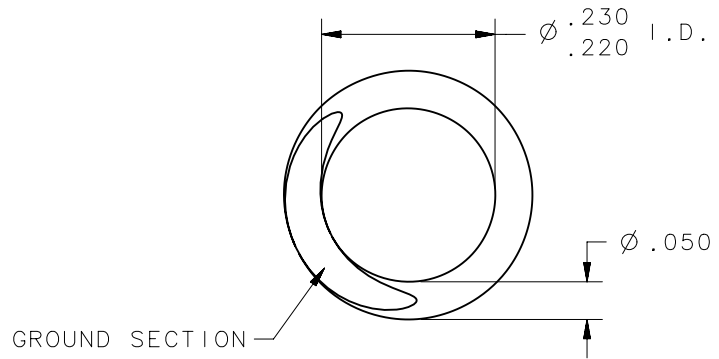
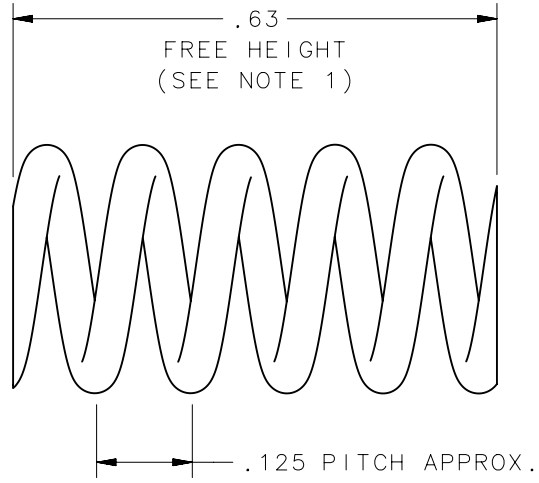


REVISION HISTORY			
REV	DATE	BY	DESCRIPTION
A	23FEB2015	CMS/JCG	PRN: P2015-0259



SCALE 1:1



3519-24546-C3C		D5-PS35X546CBCNA		MUSIC WIRE		CADMIUM ELECTROPLATED			
DFCI PART NUMBER		SOUTHCO PART NUMBER		MATERIAL		FINISH			
		THIRD ANGLE PROJECTION		 CONNECT • CREATE • INNOVATE					
CAGE CODE		INCHES [MM]							
72794		TOLERANCES UNLESS OTHERWISE NOTED		DESCRIPTION					
SURFACE AREA		ALL DIMENSIONS WITHOUT TOLERANCES ARE FOR REFERENCE ONLY.		SPRING					
.709 in <sup>2</sup>				SIZE		SYSTEM		DWG NO.	
VOLUME				A		NX		J-D5-PS35X546NA	
.008 in <sup>3</sup>		PER ASME Y14.5M-1994		DRAWN BY		DATE			
PROPRIETARY ITEM <small>EXCEPT FOR USES EXPRESSLY GRANTED IN WRITING, INFORMATION DISCLOSED HEREON IS CONFIDENTIAL AND ALL RIGHTS, PATENT AND OTHERWISE, ARE RESERVED BY SOUTHCO, INC.</small>				CMS/JCG		04FEB2015			
				SCALE		SHEET			
				4:1		1 OF 1			