

6

5

4

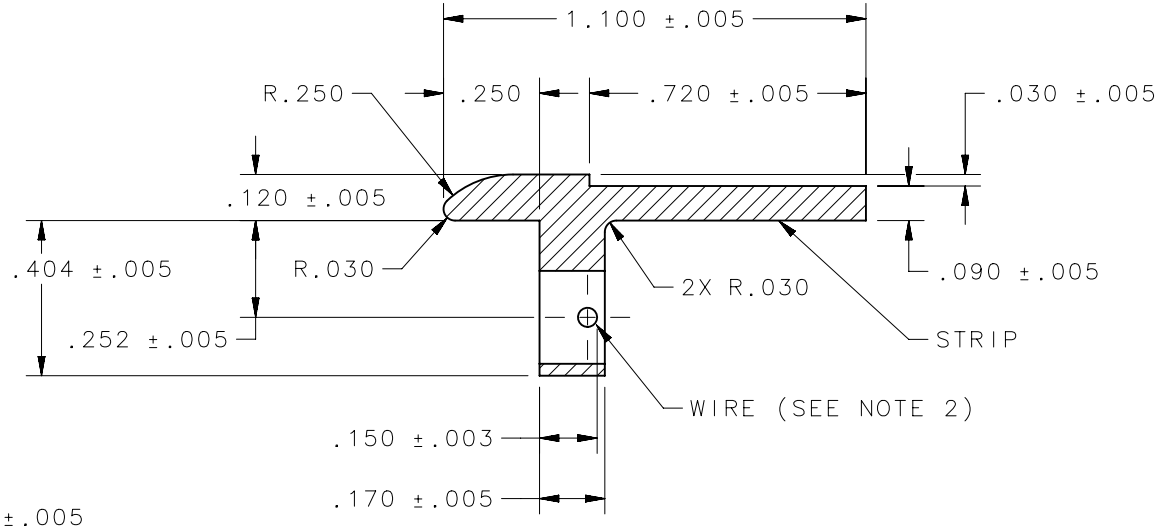
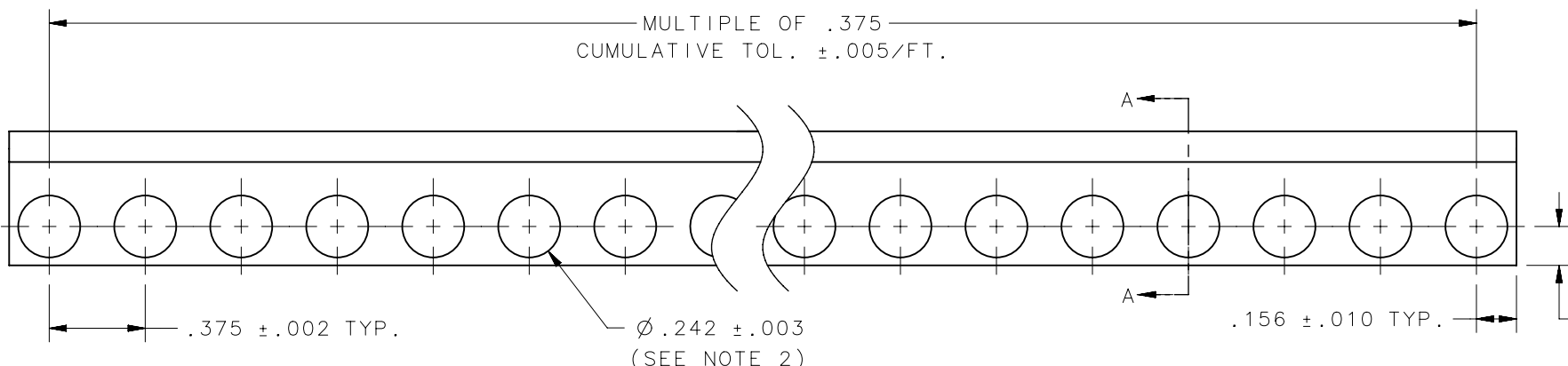
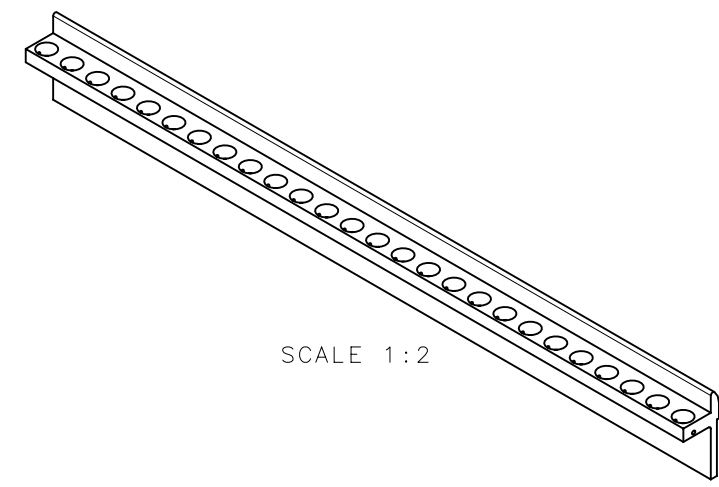
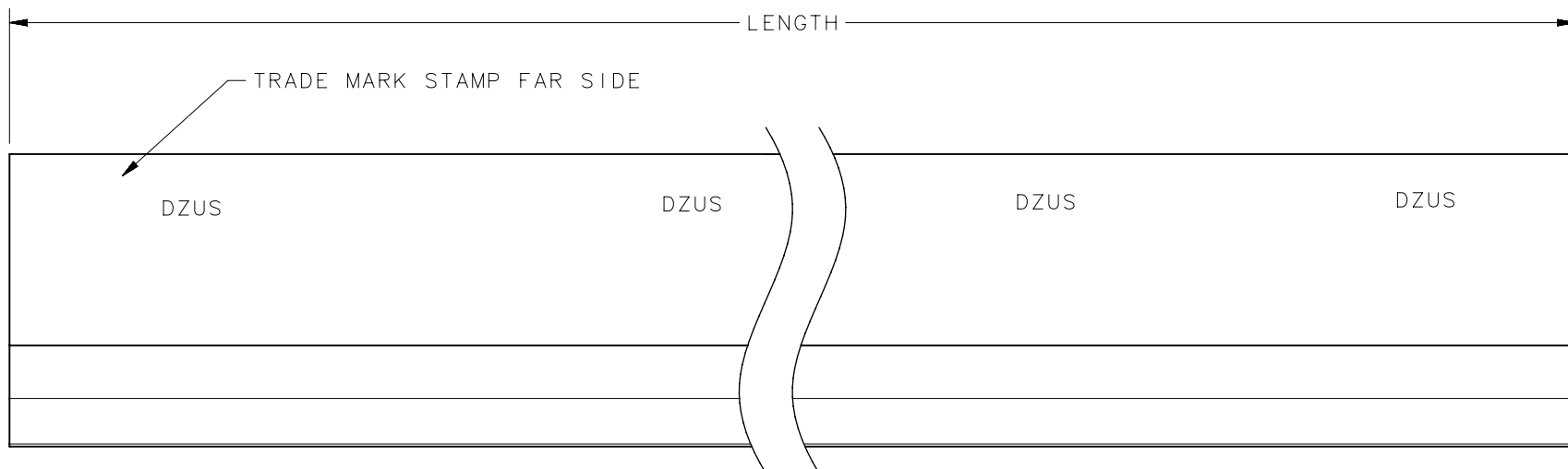
3

2

1

SOUTHCO PART NO. D5-PR35X864H026 (DFCI PART NO. 3590-24864-H26) SHOWN

REVISION HISTORY			
REV	DATE	BY	DESCRIPTION
C	18OCT2015	CMS/BGL	PRN: P2015-2102



LENGTH CALCULATION TABLE

CODE	NO. OF HOLES	NO. OF PITCHES	LENGTH
H002	2	1	.687in
H003	3	2	1.062in
			LENGTH INCREASES BY .375 WITH EACH ADDITIONAL PITCH
H319	319	318	119.562in
H320	320	319	119.938in

NOTES:

- MATERIALS
STRIP: 6061-T6 ALUMINUM ALLOY PER AMS-QQ-A-200A.
WIRE: .050 DIA. ST. STEEL TYPE 316, PER ASTM-A-313 SPRING TEMPER.
- SOME DISTORTION MAY ENTER THE Ø .242 HOLE, DUE TO STAKING OF WIRE. THIS WILL NOT AFFECT THE FUNCTION OF THE PRODUCT.
- SEE J-D5-0-3 FOR FINISHES.

THIRD ANGLE PROJECTION		 CONNECT • CREATE • INNOVATE	
CAGE CODE 72794			
INCHES [MM]		DESCRIPTION LINE RECEPTACLE	
TOLERANCES UNLESS OTHERWISE NOTED		SIZE B SYSTEM NX DWG NO. J-D5-PR35X864HNA	
PROPRIETARY ITEM		DRAWN BY CMS/JCG DATE 19FEB2015 SCALE 1.5:1 SHEET 1 OF 1	
EXCEPT FOR USES EXPRESSLY GRANTED IN WRITING, INFORMATION DISCLOSED HEREON IS CONFIDENTIAL AND ALL RIGHTS, PATENT AND OTHERWISE, ARE RESERVED BY SOUTHCO, INC.		PER ASME Y14.5M-1994	

PR35X864H026	3590-24864-H26	D5PR35X864H026NA	26	9.688
PR35864H320	3590-24864-H320	D5PR35X864H320NA	320	119.938
PR35X864H320ASB	3590-24864-H320-AS1B	D5PR35X864H320ASB	320	119.938
PR35X864H098-M56	3590-24864-H98-M56	D5PR35X864H098M56	98	36.688
DZUS PART NUMBER	DFCI PART NUMBER	SOUTHCO PART NUMBER	NO. OF Ø .242 HOLES	LENGTH (INCHES)

6

5

4

3

2

1