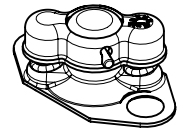
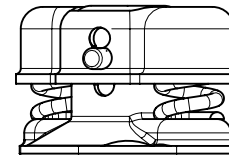
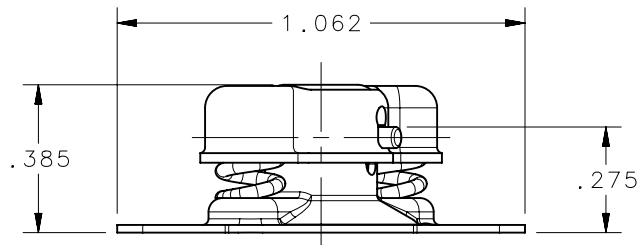
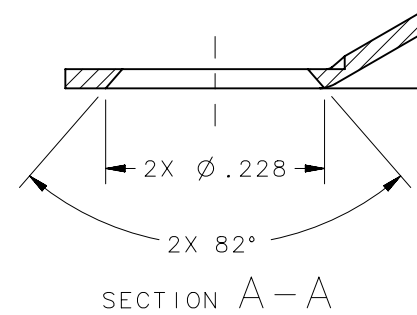
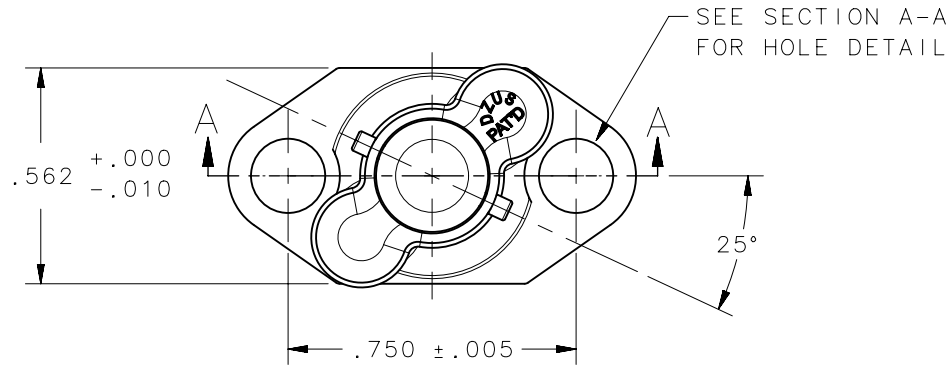


REVISION HISTORY			
REV	DATE	BY	DESCRIPTION
A	07MAY2015	CMS/JWW	INITIAL RELEASE



SCALE 1:1



NOTES:

A. FINISH: CADMIUM ELECTROPLATED PER QQ-P-416, TYPE 1, CLASS 2.

2350-18F-24734-1		RF35X734-1		D4-RF35X734-1NA		
2350-18F-24734		RF35X734		D4-RF35X734NA		
DFCI PART NUMBER		DZUS PART NUMBER		SOUTHCO PART NUMBER		
CAGE CODE	72794	THIRD ANGLE PROJECTION				
		INCHES [MM]				
		TOLERANCES UNLESS OTHERWISE NOTED	DESCRIPTION			
		ALL DIMENSIONS WITHOUT TOLERANCES ARE FOR REFERENCE ONLY.	SUPERSONIC RECEPTACLE ASSEMBLY			
PROPRIETARY ITEM		PER ASME Y14.5M-1994	SIZE	SYSTEM	DWG NO.	
EXCEPT FOR USES EXPRESSLY GRANTED IN WRITING, INFORMATION DISCLOSED HEREON IS CONFIDENTIAL AND ALL RIGHTS, PATENT AND OTHERWISE, ARE RESERVED BY SOUTHCO, INC.			A	NX	J-D4-RF35X734NA	
			DRAWN BY	DATE	SCALE	SHEET
			CMS/JWW	06MAY2015	2:1	1 OF 1

southco[®]
CONNECT • CREATE • INNOVATE