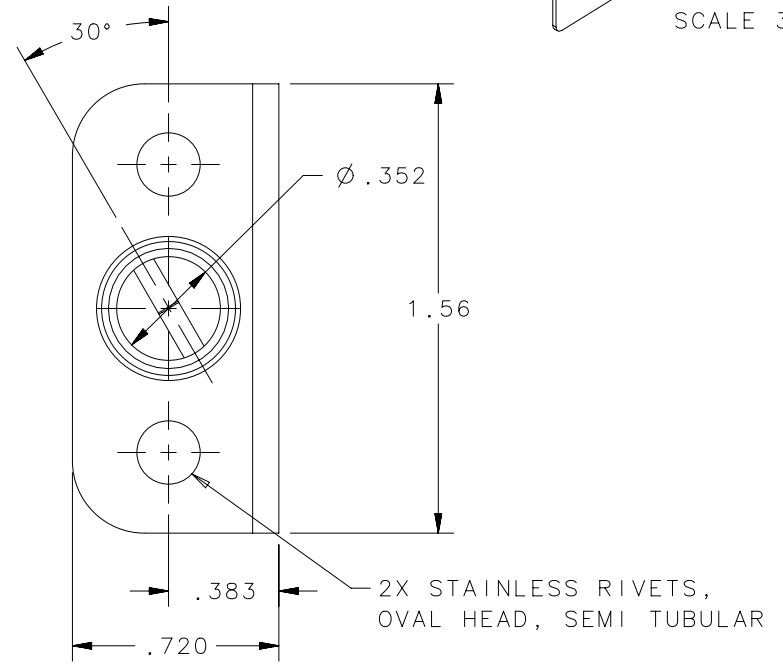
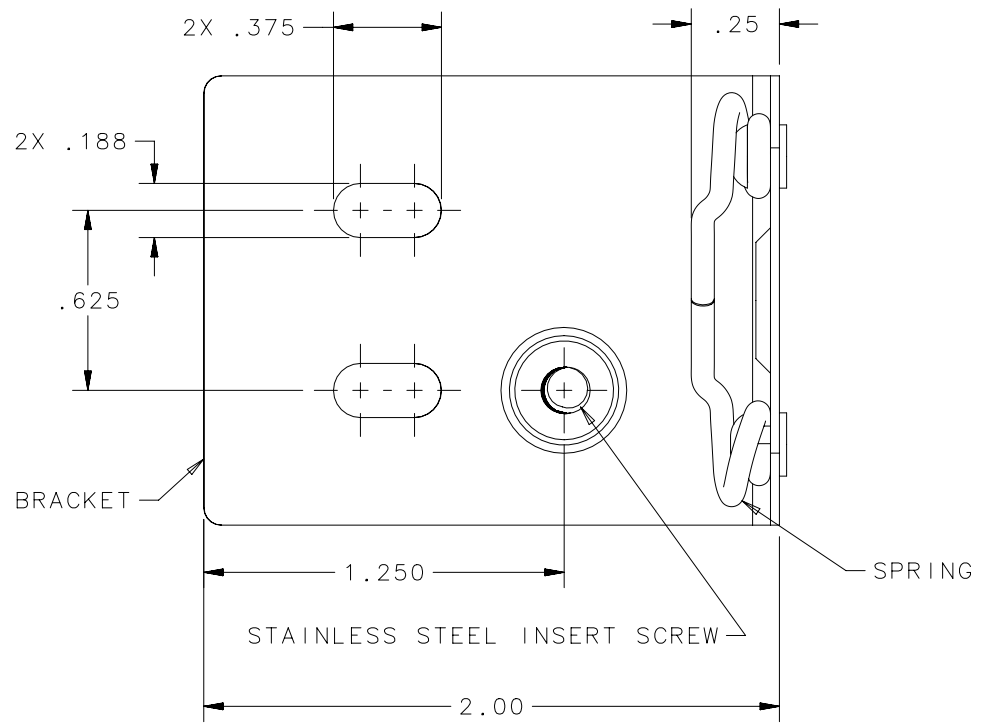
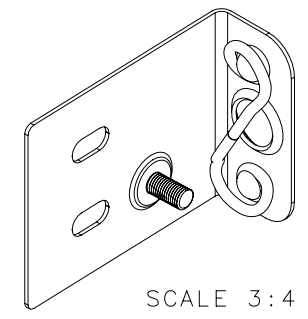
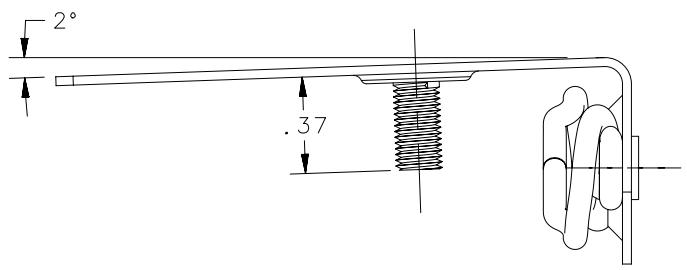


REVISION HISTORY			
REV	DATE	BY	DESCRIPTION
A	18AUG2017	CMS/JW	PRN: P2017-2067



1224-1050S		D4-X1050SNA		PASSIVATED	
DFCI PART NUMBER		SOUTHCO PART NUMBER		FINISH	
		THIRD ANGLE PROJECTION		 CONNECT • CREATE • INNOVATE	
		INCHES [MM]			
SURFACE AREA		TOLERANCES UNLESS OTHERWISE NOTED		DESCRIPTION BRACKET ASSEMBLY	
VOLUME		2 PLACE DECIMALS ± .02			
PROPRIETARY ITEM		3 PLACE DECIMALS ± .010			
EXCEPT FOR USES EXPRESSLY GRANTED IN WRITING, INFORMATION DISCLOSED HEREON IS CONFIDENTIAL AND ALL RIGHTS, PATENT AND OTHERWISE, ARE RESERVED BY SOUTHCO, INC.		4 PLACE DECIMALS ± .0010		SIZE SYSTEM DWG NO.	
		ANGLES ± 5°		A NX J-D4-X1050SNA	
		PER ASME Y14.5M-1994		DRAWN BY DATE SCALE SHEET	
				CMS/JW 18AUG2017 1.5:1 1 OF 1	