



# LH Quick-Release Pins

Double acting pins

- Positive locking
- Push or pull handle to release for fast removal
- Drive out options allows removal under shear load

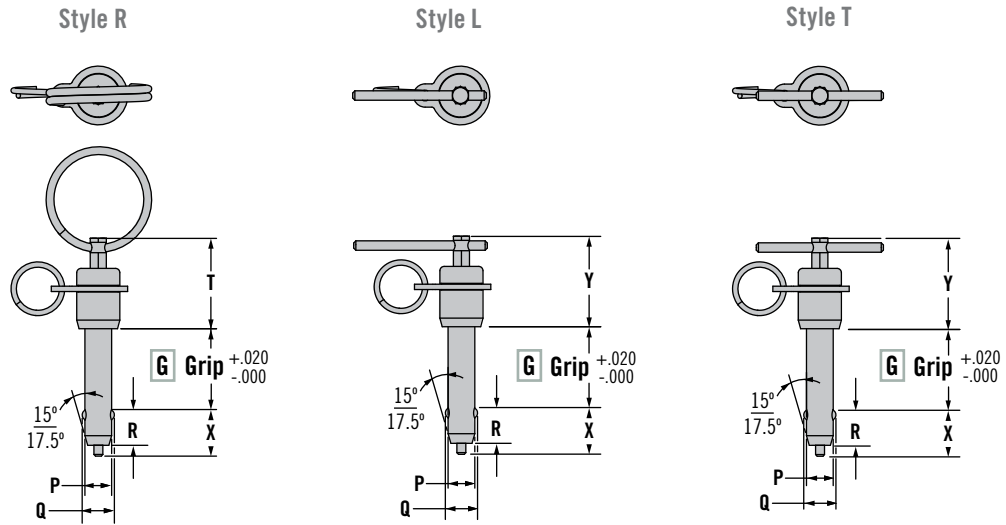
### Material and Finish

Hardened stainless steel

### Notes

Southco is a QSLM certified manufacturer of quick-release pins. The *LOCKWELL*® Quick-Release Pins on this page can be manufactured to the specification of NAS 1353 thru NAS 1366 and MS 17988 thru MS 17990. Parts ordered to MS and NAS specification are certified to NAS 1332 and NASM 23460.

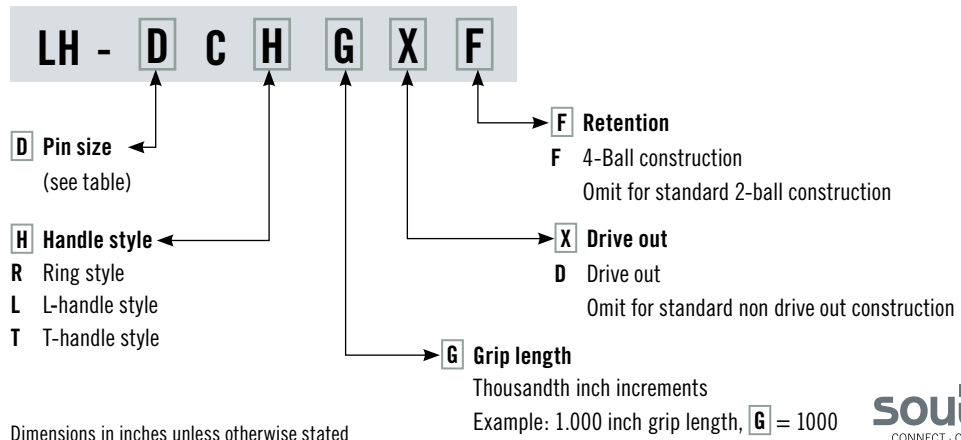
Additional pin configurations and sizes, including metric pins are available on request.



Nominal Pin Diameter	D Pin Size	Dimensions					
		P +0 -.0015	Q ±.005	R Max.	T Min.	X Max. Drive Out Only	Y Max.
3/16	3	.1885	.220	.410	.935	.50	1.030
1/4	4	.2485	.289	.410	.935	.50	1.030
5/16	5	.3110	.375	.440	.935	.55	1.030
3/8	6	.3735	.440	.510	1.000	.64	1.090
7/16	7	.4360	.509	.510	1.000	.64	1.090
1/2	8	.4985	.594	.590	1.070	.75	1.270
9/16	9	.5610	.666	.660	1.070	.82	1.270
5/8	10	.6235	.750	.750	1.250	.93	1.465
3/4	12	.7485	.887	.790	1.250	.97	1.465
7/8	14	.8735	1.046	.950	1.500	1.18	1.640
1	16	.9985	1.219	1.100	1.700	1.35	1.830

### Part Number Selection

Example: LH-4CR1000F  
1/4 inch diameter, ring style handle,  
1 inch grip length, 4-ball  
construction



Dimensions in inches unless otherwise stated



[www.southco.com/LH](http://www.southco.com/LH)

