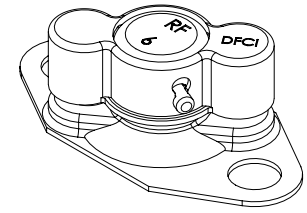
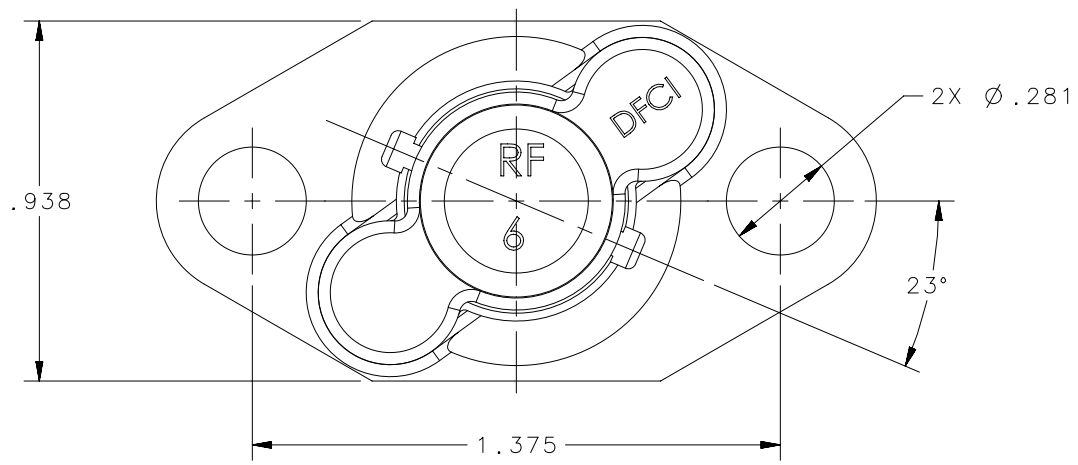
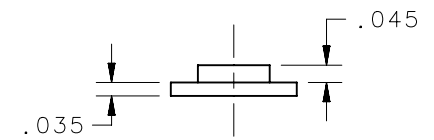
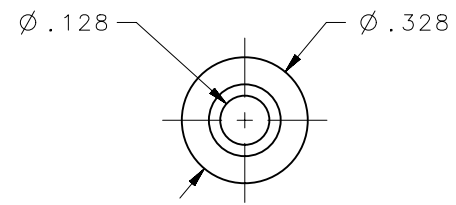


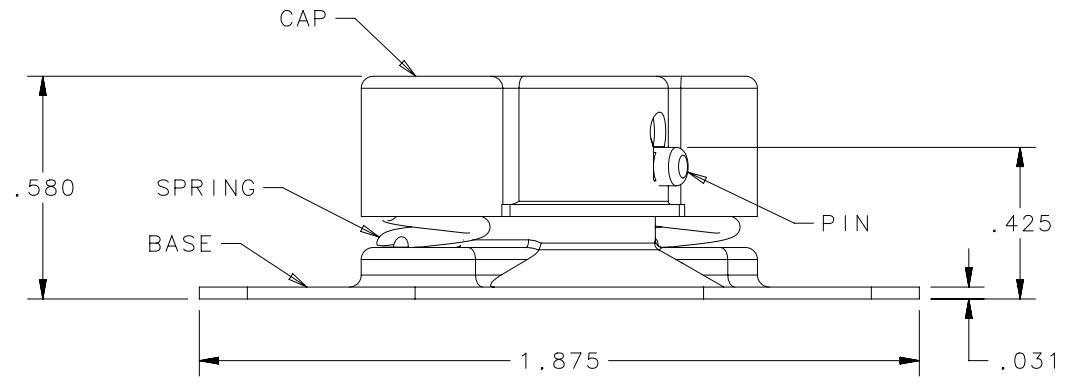
REVISION HISTORY			
REV	DATE	BY	DESCRIPTION
A	16AUG2017	CMS/JW	PRN: P2017-2033



SCALE 1:1



SPACER - SEE NOTE 2



NOTES:

- MATERIAL AND FINISH:
 BASE: 4130 STEEL
 CAP: 1010 STEEL
 SPRING: MUSIC WIRE
 PIN: MUSIC WIRE
- SPACER: 1215 STEEL

2600-18F-C3C		D4-RF6CBCNA		SEE NOTES		CADMIUM PLATE	
DFCI PART NUMBER		SOUTHCO PART NUMBER		MATERIAL		FINISH	
		THIRD ANGLE PROJECTION		 CONNECT • CREATE • INNOVATE			
		INCHES [MM]					
SURFACE AREA		TOLERANCES UNLESS OTHERWISE NOTED		DESCRIPTION			
VOLUME		2 PLACE DECIMALS ± .02		RECEPTACLE ASSEMBLY			
		3 PLACE DECIMALS ± .010		SIZE		SYSTEM	
		4 PLACE DECIMALS ± .0010		A		NX	
PROPRIETARY ITEM		ANGLES ± 5°		DWG NO.		J-D4-RF6NA	
EXCEPT FOR USES EXPRESSLY GRANTED IN WRITING, INFORMATION DISCLOSED HEREON IS CONFIDENTIAL AND ALL RIGHTS, PATENT AND OTHERWISE, ARE RESERVED BY SOUTHCO, INC.		PER ASME Y14.5M-1994		DRAWN BY		DATE	
				CMS/JW		16AUG2017	
				SCALE		1:1	
				SHEET		1 OF 1	