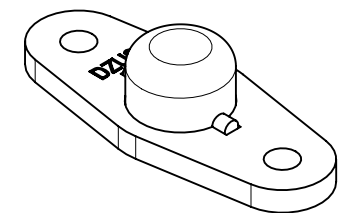
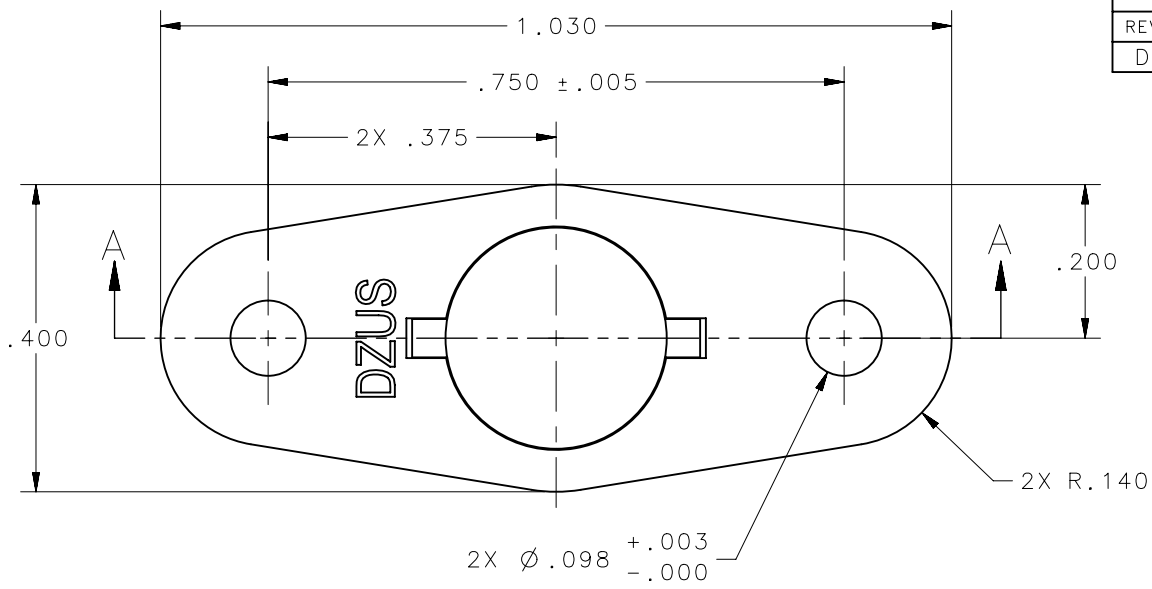
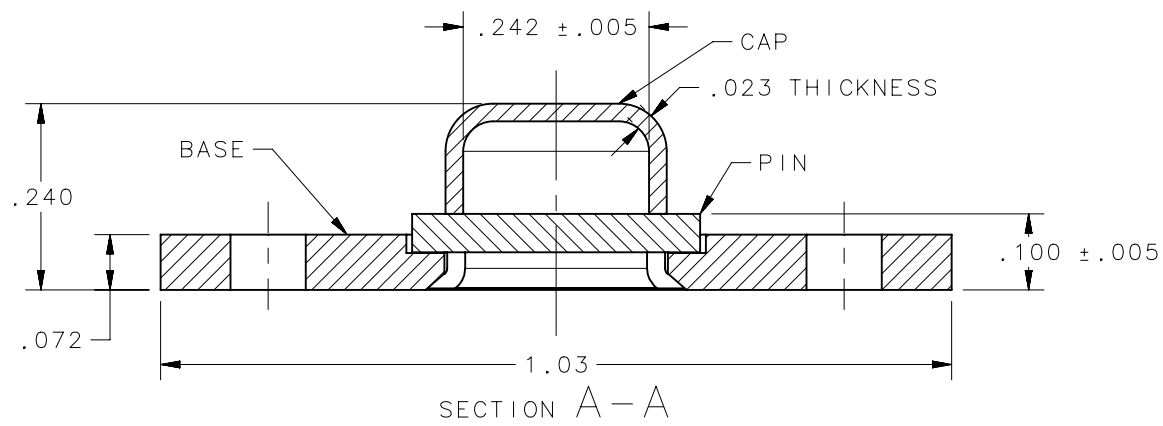


REVISION HISTORY			
REV	DATE	BY	DESCRIPTION
D	05AUG2015	DJS/CMS	PRN: P2015-1400



SCALE 2:1



- NOTES:
- A. ANODIZING, SULFIRIC ACID BATH PER MIL-A-8625, TYPE II, CLASS 1.
 - B. CAP & BASE: 6061-T6 ALUMINUM PER AMS-QQ-A-200A
PIN: .050" DIA 316 STAINLESS STEEL PER ASTM-A313 COND. B, SPRING TEMPER.
 - C. REMOVE ALL BURRS AND BREAK SHARP CORNERS.
 - D. ALL CORNERS AND FILLETS R.005 MAX.

DFCI PART NUMBER			DZUS PART NUMBER			SOUTHCO PART NUMBER			FINISH					
3518-G-AS1C			PRG35ASC			D5-PRG35ASCNA			CAP & BASE					
3518-G			PRG35			D5-PRG35NA			PIN					
SEE NOTE A			SEE NOTE A			SEE NOTE A			NATURAL					
NATURAL			NATURAL			NATURAL			NATURAL					
CAGE CODE			THIRD ANGLE PROJECTION											
72794			INCHES [MM]											
TOLERANCES UNLESS OTHERWISE NOTED			DESCRIPTION			RECEPTACLE ASSEMBLY								
X° ±2°			SIZE								SYSTEM		DWG NO.	
X/X ±1/32			A								NX		J-D5-PRG35NA	
.XX ±.015			DRAWN BY								CMS/NJF		DATE	
.XXX ±.010			PER ASME Y14.5M-1994			23APR2015		SCALE						
<small>EXCEPT FOR USES EXPRESSLY GRANTED IN WRITING, INFORMATION DISCLOSED HEREON IS CONFIDENTIAL AND ALL RIGHTS, PATENT AND OTHERWISE, ARE RESERVED BY SOUTHCO, INC.</small>						4:1		SHEET						
						1 OF 1								