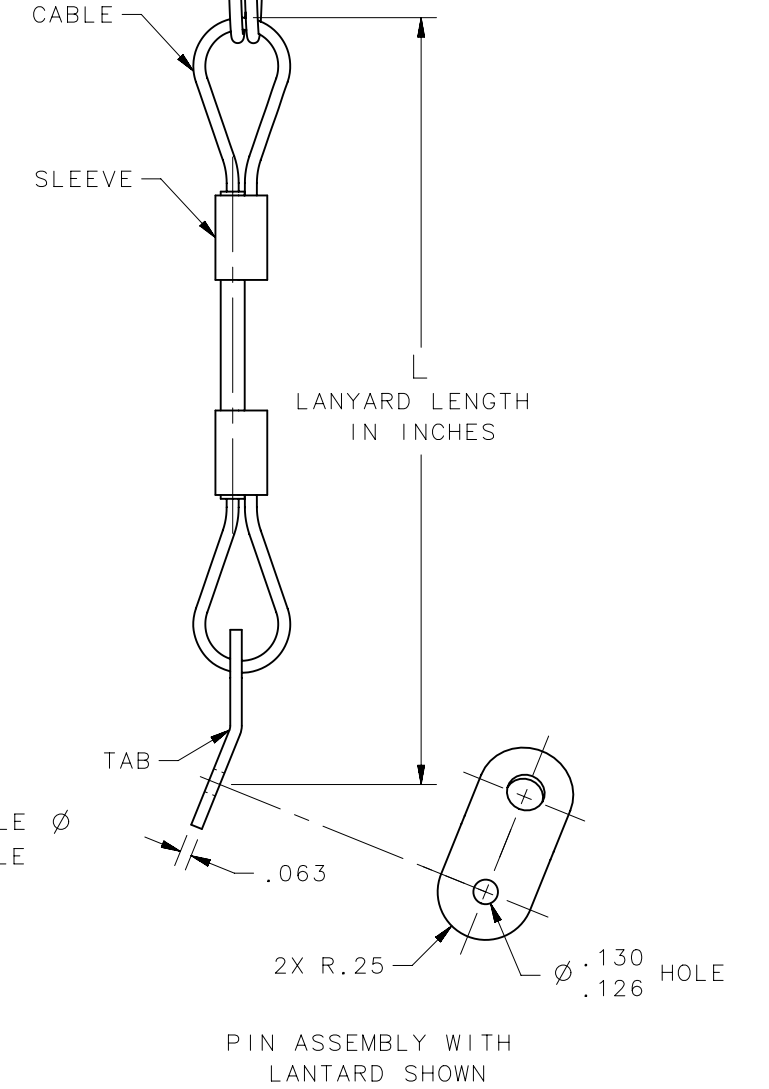
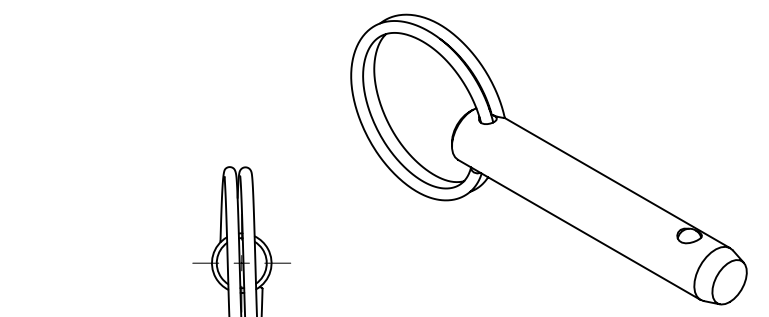
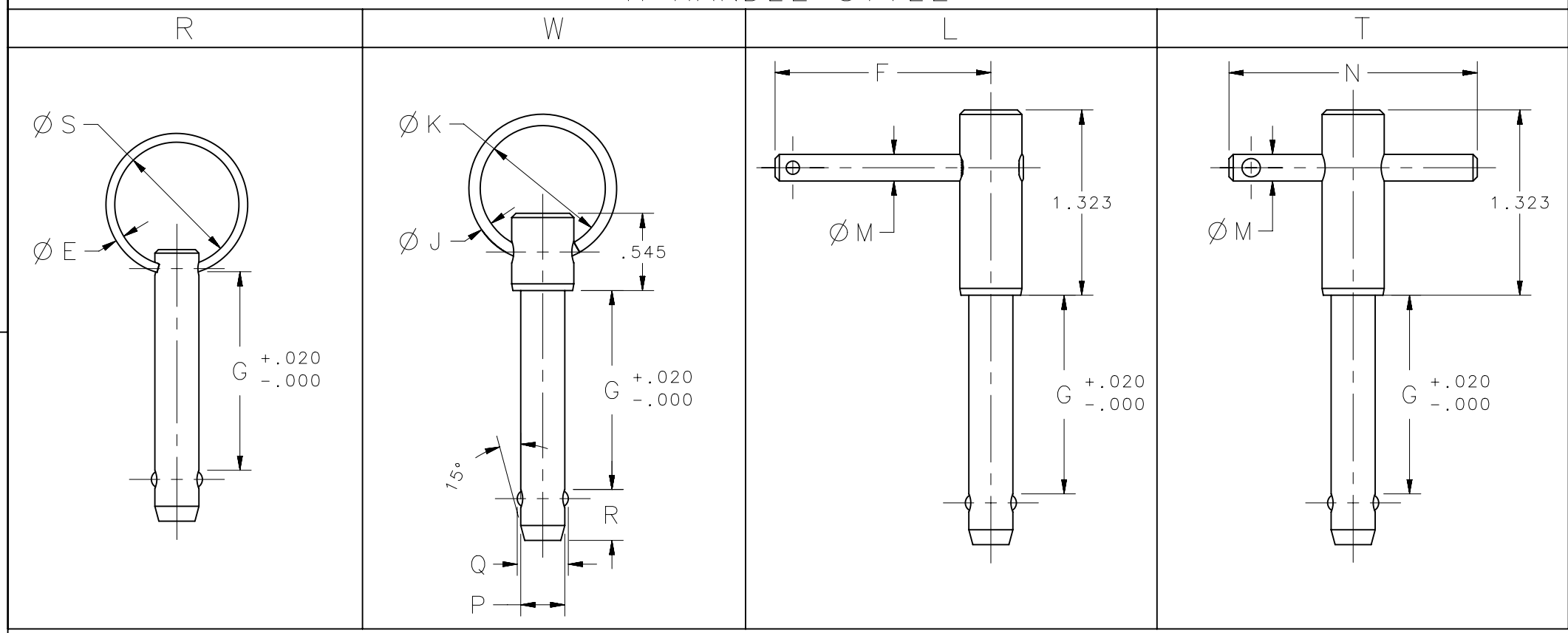


H-HANDLE STYLE

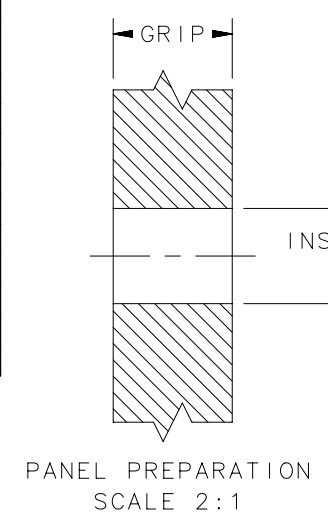
REVISION HISTORY			
REV	DATE	BY	DESCRIPTION
C	28JUN2016	CMS/AH	PRN: P2016-1506



PIN SIZE D	P +.000 -.003	Q (MIN)	R (MAX)	INSTALL HOLE		Ø S ±.030	Ø E ±.010	Ø K ±.03	Ø J ±.010	F ±.030	Ø M	N +.00 -.05	CALCULATED DOUBLE SHEAR (lbf) (SEE NOTE 2)
				MIN	MAX								
4	.2485	.280	.349	.250	.254	1.000	.062	1.000	.062	1.138	.188	1.75	9200
5	.3110	.350	.364	.3125	.3165	1.000	.062	1.000	.062	1.521	.188	1.75	14440
6	.3735	.421	.395	.375	.379	1.000	.062	1.000	.062	1.628	.250	2.12	20860
7	.4360	.491	.474	.4375	.4425	1.000	.062	1.000	.062	1.594	.250	2.12	28460
8	.4985	.562	.521	.500	.505	1.000	.062	1.000	.062	1.625	.250	2.50	37240
9	.5610	.631	.598	.5625	.5675	1.500	.105	1.500	.105	1.594	.250	2.50	47200
10	.6235	.702	.677	.625	.630	1.500	.105	1.500	.105	1.875	.312	2.87	58340
12	.7485	.843	.755	.750	.757	2.000	.105	2.000	.105	1.938	.312	2.87	84140
14	.8735	.983	.864	.875	.882	2.000	.105	2.000	.105	2.125	.375	3.25	114660
16	.9985	1.124	.989	1.000	1.010	2.000	.105	2.000	.105	2.002	.375	3.25	149900

NOTES:  
 1. EXAMPLE OF PART NUMBER FOR PIN ASSEMBLY:  
**LJ-D C H G L4**  
 LOCKWELL 2-BALL DETENT PIN | PIN SIZE (SEE TABLE) | PIN DIAMETER IN 1/16 INCHES INCREMENTS | PIN MATERIAL: C: STAINLESS STEEL | HANDLE STYLE: R: RING HANDLE STYLE, W: RING HANDLE WITH SHOULDER, L: L-HANDLE STYLE, T: T-HANDLE STYLE | LANYARD LENGTH IN INCHES (OMIT IF NO LANYARD REQUIRED) EXAMPLE: 4 INCH LANYARD LENGTH SHOWN | GRIP LENGTH IN THOUSANDTH INCH INCREMENTS EXAMPLE: 1.000 INCH GRIP LENGTH, G=1000

2. SHEAR VALUES BASED ON 60% OF ULTIMATE TENSILE STRENGTH OF MATERIAL.



LJ-XXXXX	PIN ASSEMBLY	STAINLESS STEEL	HARDENED	PASSIVATE
PART NUMBER	TYPE OF COMPONENT	MATERIAL	HEAT TREAT	FINISH
THIRD ANGLE PROJECTION				
INCHES [MM]				
TOLERANCES UNLESS OTHERWISE NOTED		DESCRIPTION		
ALL DIMENSIONS WITHOUT TOLERANCES ARE FOR REFERENCE ONLY.		PRECISION DETENT PIN (TWO-BALL DETENT STYLE)		
PROPRIETARY ITEM EXCEPT FOR USES EXPRESSLY GRANTED IN WRITING, INFORMATION DISCLOSED HEREON IS CONFIDENTIAL AND ALL RIGHTS, PATENT AND OTHERWISE, ARE RESERVED BY SOUTHCO, INC.		SIZE B	SYSTEM NX	DWG NO. J-LJ-4THRU16
PER ASME Y14.5M-1994		DRAWN BY DMS/CDW	DATE 10OCT2013	SCALE 1:1 SHEET 1 OF 1