

NOTES:

A. MATERIAL AND FINISH:

D=303 CRES PER AMS 5640; ALL CRES PARTS PASSIVATED PER ASTM A96

E=4130 STEEL PER AMS-QQ-S-763; ALL STEEL PARTS CADMIUM PLATED PER AMS-QQ-P-416

F=12L14 AND 1215 STEEL PER ASTM A108; ALL STEEL PARTS CADMIUM PLATED PER AMS-QQ-P-416

**southco**

PROPRIETARY ITEM - EXCEPT FOR USES EXPRESSLY GRANTED IN WRITING INFORMATION DISCLOSED HEREON IS CONFIDENTIAL AND ALL RIGHTS PATENT AND OTHERWISE ARE RESERVED BY SOUTHCO, INC.

LR-DETENT PIN SERIES

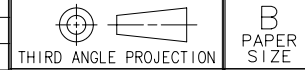
DATE	DRAWN	CHKD	SCALE
06JAN2006	RLR	AW	1:1

DRAWING NUMBER

J-LR-1

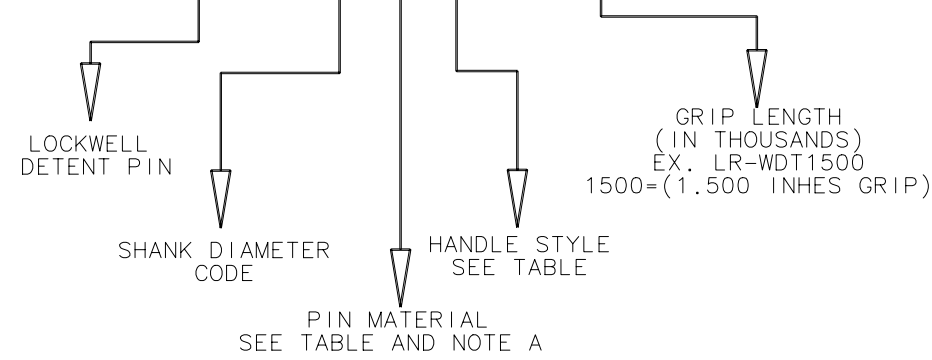
INCHES

ALL DIMENSIONS WITHOUT TOLERANCES ARE FOR REFERENCE ONLY.



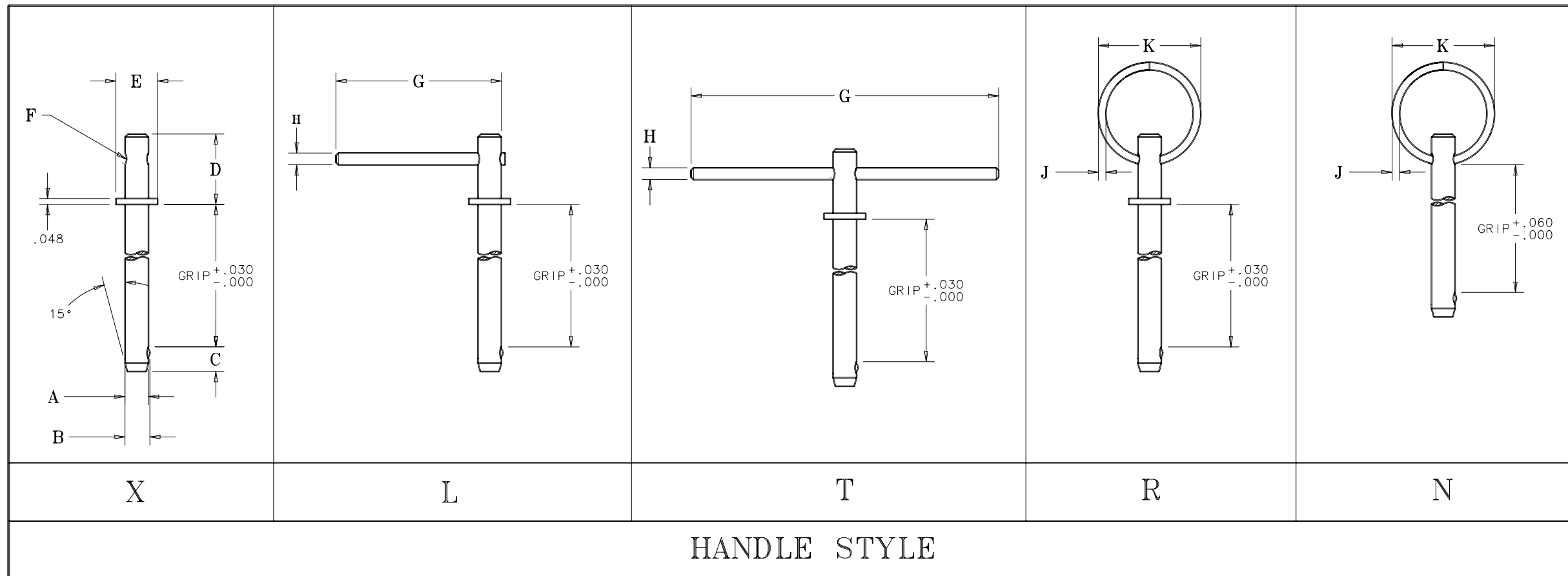
REV	DATE	DRAWN/CHKD	DESCRIPTION	SHANK DIAMETER		DIMENSIONS									
				SIZE	W	A <sup>+0.003</sup>	B <sup>±.010</sup>	C <sub>MAX</sub>	D <sup>+0.030</sup>	E <sub>MAX</sub>	F	G	H	J	K
				3/16	3	.188	.200	.200	.750	.339	.096	1.25	.093	.062	.875
				1/4	4	.250	.286	.312	.750	.401	.128	1.25	.125	.062	.875
				5/16	5	.313	.358	.375	.750	.464	.159	1.25	.156	.062	.875
				3/8	6	.375	.426	.500	.750	.589	.159	1.75	.156	.062	.875
				7/16	7	.438	.496	.562	1.000	.652	.159	1.75	.156	.062	.875
				1/2	8	.500	.570	.625	1.062	.714	.191	2.00	.188	.105	1.040
				9/16	9	.563	.642	.687	1.062	.776	.191	2.00	.188	.105	1.040
				5/8	10	.625	.710	.750	1.125	.870	.253	2.25	.250	.105	1.040
				3/4	12	.750	.856	.937	1.375	.994	.253	2.25	.250	.105	1.290
				7/8	14	.875	.996	1.000	1.500	1.009	.379	2.50	.375	.105	1.290
				1	16	1.00	1.140	1.250	1.500	1.244	.379	2.50	.375	.105	1.290

LR-WDTZZZZ



CALCULATED SINGLE SHEAR (IN POUNDS)

SHANK SIZE	MATERIAL CODE		
	D	E	F
3/16	1283	2555	1118
1/4	2299	4585	2005
5/16	3611	7203	3151
3/8	5216	10411	4555
7/16	7117	14208	6216
1/2	9312	18594	8134
9/16	11801	22568	10311
5/8	14485	29132	12745
3/4	21036	42027	18387
7/8	28665	57279	25059
1	37473	74886	32762



HANDLE STYLE