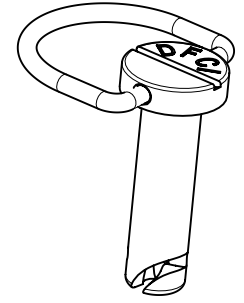
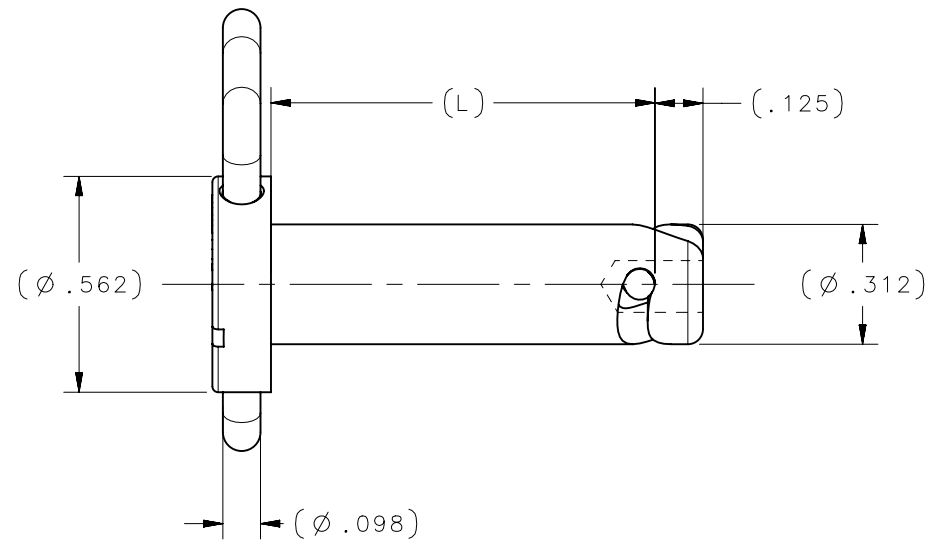
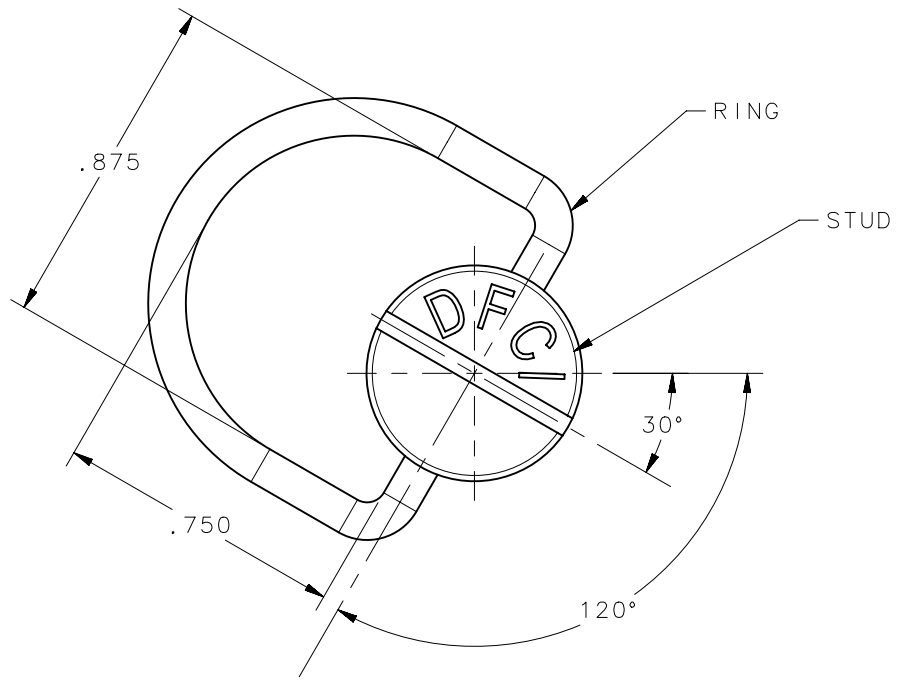


REVISION HISTORY			
REV	DATE	BY	DESCRIPTION
A	29AUG2017	SPD/VK	PRN: P2017-2120



SCALE 1:1



1225-R590-241779	D4-BOR5-90X1779NA	STUD ASSEMBLY	0.9	STAINLESS STEEL	PASSIVATED
1225-R5100-241700-SS	D4BOR5100X1700SSNA	STUD ASSEMBLY	1	STAINLESS STEEL	PASSIVATED
DFCI PART NUMBER	SOUTHCO PART NUMBER	TYPE OF COMPONENT	* L * DIM	MATERIAL	FINISH

	THIRD ANGLE PROJECTION
	INCHES [MM]
	TOLERANCES UNLESS OTHERWISE NOTED
SURFACE AREA	2.99 in ²
VOLUME	.13 in ³
PROPRIETARY ITEM	ALL DIMENSION WITHOUT TOLERANCES ARE FOR REFERENCE ONLY.
EXCEPT FOR USES EXPRESSLY GRANTED IN WRITING, INFORMATION DISCLOSED HEREON IS CONFIDENTIAL AND ALL RIGHTS, PATENT AND OTHERWISE, ARE RESERVED BY SOUTHCO, INC.	PER ASME Y14.5M-1994

southco [®] CONNECT • CREATE • INNOVATE					
DESCRIPTION STUD ASSEMBLY					
SIZE	SYSTEM	DWG NO.			
A	NX	J-D4-BOR5NA			
DRAWN BY	DATE	SCALE	SHEET		
SPD/VK	29AUG2017	1:1	1 OF 1		