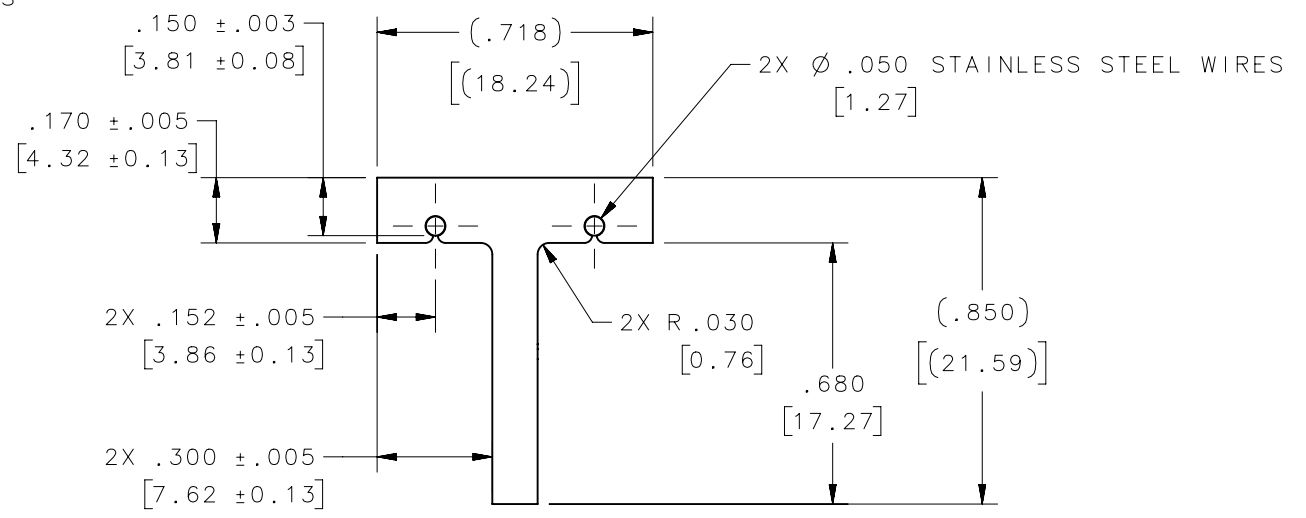
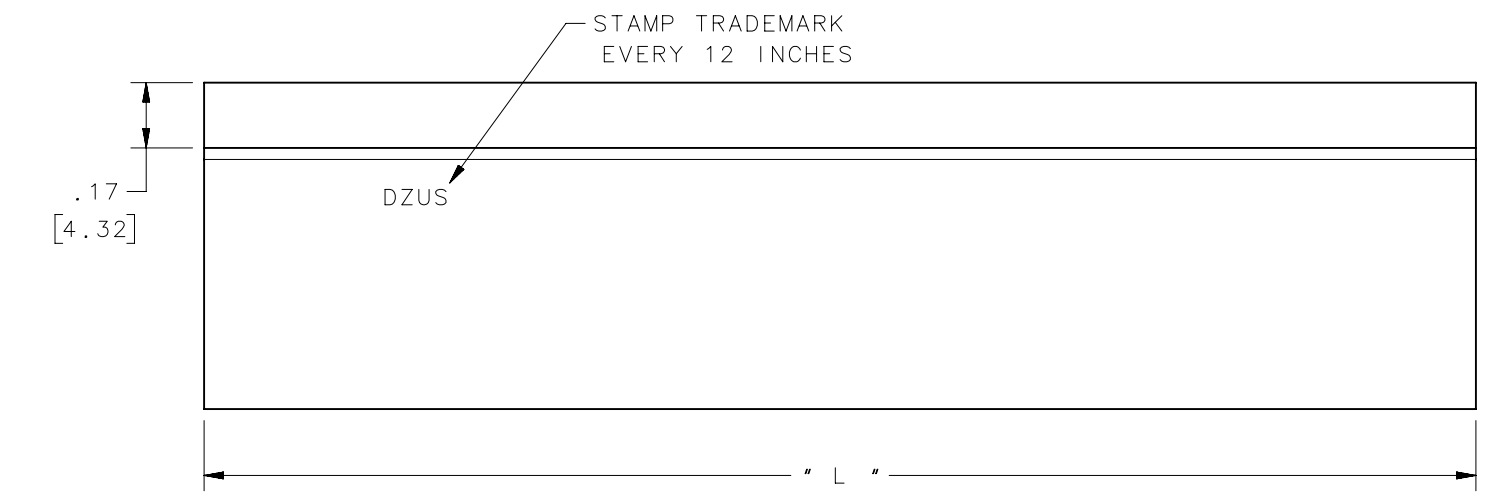
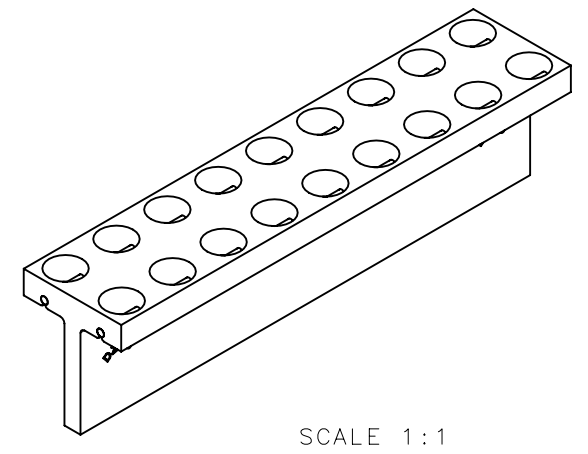
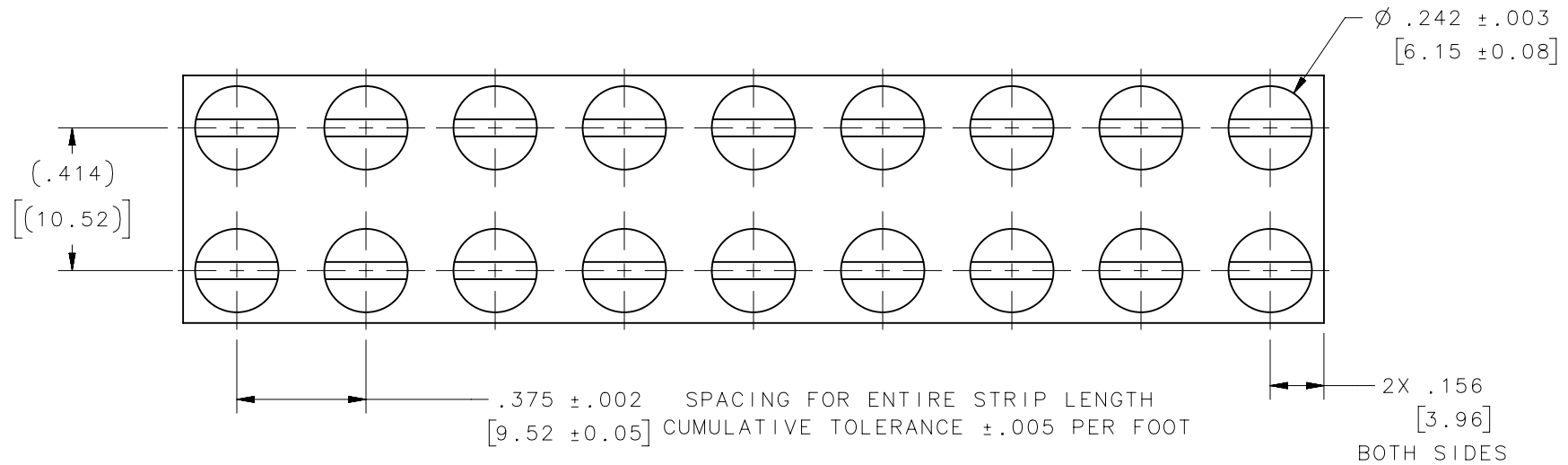


| REVISION HISTORY | | | |
|------------------|-----------|---------|-----------------|
| REV | DATE | BY | DESCRIPTION |
| D | 18AUG2015 | CMS/NJF | PRN: P2015-1674 |



PART NUMBER D5-PR35X865H009 / D5-PR35X865H009QA SHOWN

NOTES:

- MATERIALS
STRIP: 6061-T6 ALUMINUM ALLOY PER AMS QQ-A-200-A.
WIRE: .050 DIA. STAINLESS STEEL TYPE 316, PER ASTM-A-313 SPRING TEMPER.
- SOME DISTORTION MAY ENTER THE $\phi .242$ HOLE, DUE TO STAKING OF THE WIRE. THIS WILL NOT AFFECT THE FUNCTION OF THE PRODUCT.
- SEE J-D5-0-3 FOR FINISHES.
- SEE SHEET 2 FOR ADDITIONAL PART NUMBERS.

| XXX | HOLES | NO. OF PITCHES | LENGTH |
|------|--------------|----------------|---|
| H002 | 2 PER SIDE | 1 | .687in. |
| H003 | 3 PER SIDE | 2 | 1.062in. |
| | | | LENGTH INCREASES BY .375 WITH EACH ADDITIONAL PITCH |
| H319 | 319 PER SIDE | 318 | 119.562in. |
| H320 | 320 PER SIDE | 319 | 119.938in. |

| DFCI PART NUMBER | DZUS PART NUMBER | SOUTHCO PART NUMBER | NO. OF HOLES PER SIDE | LENGTH (INCHES) ±.062 |
|--------------------|------------------|---------------------|-----------------------|-----------------------|
| 3590-24865-H320 | PR35X865H320 | D5-PR35X865H320NA | 320 | 119.938 |
| 3590-24865-H69-AC1 | PR35X865H069MCN | D5-PR35X865H069MCN | 69 | 25.812 |
| 3590-24865-H24 | PR35X865H024 | D5-PR35X865H024NA | 24 | 8.937 |
| 3590-24865-H10 | PR35X865H010NA | D5-PR35X865H010NA | 10 | 3.687 |

| | | | |
|-----------------------------------|------------------------|------------------------------------|--------------|
| CAGE CODE 72794 | THIRD ANGLE PROJECTION | | |
| | INCHES [MM] | | |
| TOLERANCES UNLESS OTHERWISE NOTED | | DESCRIPTION D5 RECEPTACLE STRIP | |
| X° ±2° | | SIZE B | SYSTEM NX |
| X/X ±1/32 | | DWG NO. J-D5-PR35X865HNA | |
| .XX ±.015 | | DRAWN BY CMS/MGG | |
| .XXX ±.010 | | DATE 26JAN2015 | SCALE 2:1 |
| PER ASME Y14.5M-1994 | | SHEET 1 OF 2 | |

PROPRIETARY ITEM
EXCEPT FOR USES EXPRESSLY GRANTED IN WRITING, INFORMATION DISCLOSED HEREON IS CONFIDENTIAL AND ALL RIGHTS, PATENT AND OTHERWISE, ARE RESERVED BY SOUTHCO, INC.

6

5

4

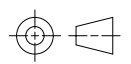

3

2

1

| REVISION HISTORY | | | |
|------------------|-----------|---------|-----------------|
| REV | DATE | BY | DESCRIPTION |
| D | 18AUG2015 | CMS/NJF | PRN: P2015-1674 |

| DFCI PART NUMBER | DZUS PART NUMBER | SOUTHCO PART NUMBER |
|----------------------|------------------|---------------------|
| 3590-24865-H105-M50 | PR35X865H105-M50 | D5-PR35X865H105M50 |
| 3590-24865-H10-AC1 | PR35X865H010MCN | D5-PR35X865H010MCN |
| 3590-24865-H11 | PR35X865H011 | D5-PR35X865H011NA |
| 3590-24865-H1111 | PR35X865H1111 | D5-PR35X865H1111NA |
| 3590-24865-H12 | PR35X865H012 | D5-PR35X865H012NA |
| 3590-24865-H14 | PR35X865H014 | D5-PR35X865H014NA |
| 3590-24865-H17 | PR35X865H017 | D5-PR35X865H017NA |
| 3590-24865-H18 | PR35X865H018 | D5-PR35X865H018NA |
| 3590-24865-H19 | PR35X865H019 | D5-PR35X865H019NA |
| 3590-24865-H20 | PR35X865H020 | D5-PR35X865H020NA |
| 3590-24865-H23 | PR35X865H023 | D5-PR35X865H023NA |
| 3590-24865-H24-AC1 | PR35X865H024MCN | D5-PR35X865H024MCN |
| 3590-24865-H24-AC3 | PR35X865H024MBN | D5-PR35X865H024MBN |
| 3590-24865-H25 | PR35X865H025 | D5-PR35X865H025NA |
| 3590-24865-H25-AS1B | PR35X865H025ASB | D5-PR35X865H025ASB |
| 3590-24865-H26-AS1B | PR35X865H026ASB | D5-PR35X865H026ASB |
| 3590-24865-H27-AC1 | PR35X865H027MCN | D5-PR35X865H027MCN |
| 3590-24865-H27-AS1B | PR35X865H027ASB | D5-PR35X865H027ASB |
| 3590-24865-H28 | PR35X865H028 | D5-PR35X865H028NA |
| 3590-24865-H3 | PR35X865H003 | D5-PR35X865H003NA |
| 3590-24865-H320-AC1 | PR35X865H320MCN | D5-PR35X865H320MCN |
| 3590-24865-H320-AC1Y | PR35X865H320MCY | D5-PR35X865H320MCY |
| 3590-24865-H320-AC3 | PR35X865H320MBN | D5-PR35X865H320MBN |
| 3590-24865-H35 | PR35X865H035 | D5-PR35X865H035NA |
| 3590-24865-H38 | PR35X865H038 | D5-PR35X865H038NA |
| 3590-24865-H59 | PR35X865H059 | D5-PR35X865H059NA |
| 3590-24865-H6 | PR35X865H006 | D5-PR35X865H006NA |
| 3590-24865-H60 | PR35X865H060 | D5-PR35X865H060NA |
| 3590-24865-H62-AC3 | PR35X865H062MBN | D5-PR35X865H062MBN |
| 3590-24865-H64 | PR35X865H064 | D5-PR35X865H064NA |
| 3590-24865-H13 | PR35X865H013 | D5-PR35X865H013NA |

| | | | |
|--|--|--|---------------------|
| CAGE CODE 72794 | THIRD ANGLE PROJECTION  |  CONNECT • CREATE • INNOVATE | |
| | INCHES [MM] | | |
| | TOLERANCES UNLESS OTHERWISE NOTED | DESCRIPTION D5 RECEPTACLE STRIP | |
| | X° ±2° | | |
| | X/X ±1/32 | | |
| | .XX ±.015 | SIZE B | SYSTEM NX |
| | .XXX ±.010 | DWG NO. J-D5-PR35X865HNA | |
| PROPRIETARY ITEM EXCEPT FOR USES EXPRESSLY GRANTED IN WRITING, INFORMATION DISCLOSED HEREON IS CONFIDENTIAL AND ALL RIGHTS, PATENT AND OTHERWISE, ARE RESERVED BY SOUTHCO, INC. | PER ASME Y14.5M-1994 | DRAWN BY CMS/MGG | DATE 26 JAN 2015 |
| | | SCALE 1:1 | SHEET 2 OF 2 |

6

5

4

3

2

1