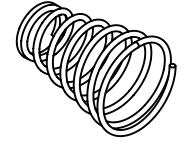
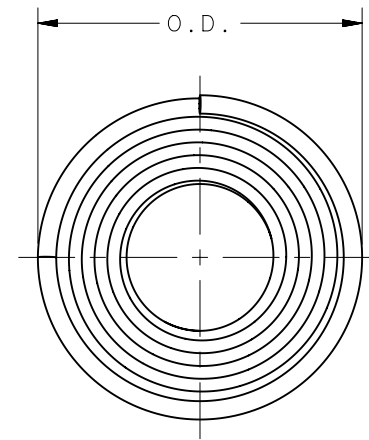
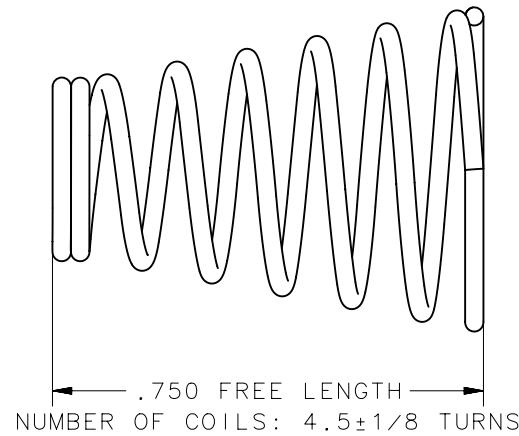
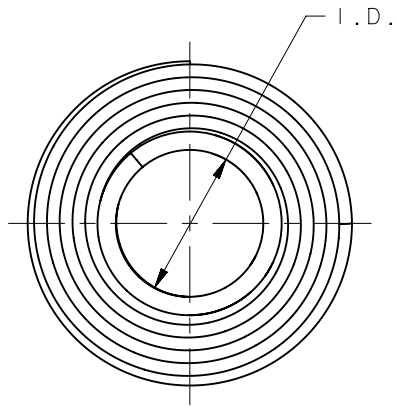


REVISION HISTORY			
REV	DATE	BY	DESCRIPTION
B	12APR2018	NSB/VK	PRN: P2018-0900



SCALE 1:1



D4-SX510SSNA SHOWN

PART NUMBER	I.D.	O.D.
D4-SX510SSPSNA	$\phi .315$	$\phi .625$
D4-SX510SSNA	$\phi .25$	$\phi .562$

1219-24510-SS-PAS	SX510SSPS	D4-SX510SSPSNA	$\phi .035$ STAINLESS STEEL	PASSIVATED
1219-24510-SS	SX510SS	D4-SX510SSNA	$\phi .031$ STAINLESS STEEL	NATURAL
DFCI PART NUMBER	DZUS PART NUMBER	SOUTHCO PART NUMBER	MATERIAL	FINISH

THIRD ANGLE PROJECTION		 CONNECT • CREATE • INNOVATE		
INCHES [MM]				
TOLERANCES UNLESS OTHERWISE NOTED		DESCRIPTION SPRING FASTENER RETAINER		
ALL DIMENSIONS WITHOUT TOLERANCES ARE FOR REFERENCE ONLY.		SIZE A	SYSTEM NX	DWG NO. J-D4-SX510SSNA
<small>PROPRIETARY ITEM EXCEPT FOR USES EXPRESSLY GRANTED IN WRITING, INFORMATION DISCLOSED HEREON IS CONFIDENTIAL AND ALL RIGHTS, PATENT AND OTHERWISE, ARE RESERVED BY SOUTHCO, INC.</small>		DRAWN BY CMS/JW	DATE 18OCT2016	SCALE 3:1
PER ASME Y14.5M-1994		SHEET 1 OF 1		