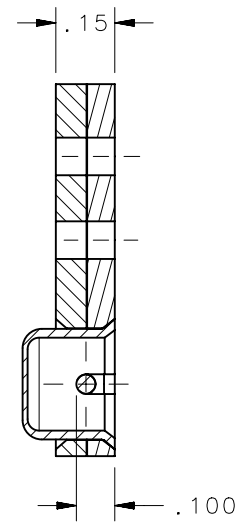
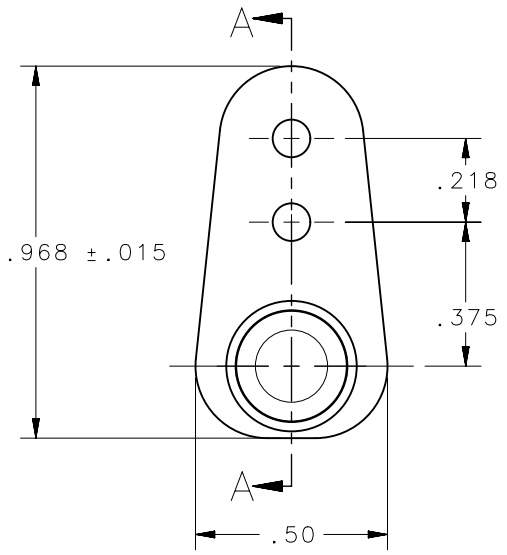
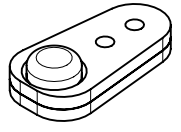


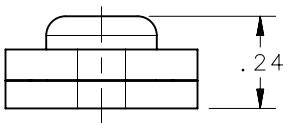
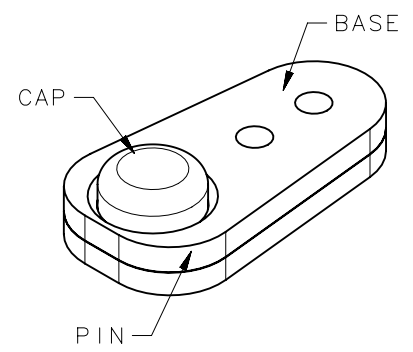
REVISION HISTORY			
REV	DATE	BY	DESCRIPTION
B	29JUN2017	CMS/JW	PRN: P2017-1567



SECTION A - A



SCALE 1:1



NOTES:

- A. REMOVE ALL BURRS AND BREAK SHARP CORNERS.
- B. ALL CORNERS AND FILLETS R.005 MAX.

	D5-BG2-30A-4129	BASE	ALUMINUM 6061-T6	ANODIZED BLACK
	D5-BG2-18E-2999	PIN	316 SS PER QQ-A-423. COND. B	PASSIVATED
	D5-BG2-12C-4129	CAP	ALUMINUM 6061-T6	ANODIZED BLACK
3518-F-241729-AS1B	D5-PRF35X1729ASBNA	ASSEMBLY		
DFCI PART NUMBER	SOUTHCO PART NUMBER	DESCRIPTION	MATERIAL	FINISH

CAGE CODE 72794		THIRD ANGLE PROJECTION		 CONNECT • CREATE • INNOVATE	
		INCHES [MM]			
		TOLERANCES UNLESS OTHERWISE NOTED		DESCRIPTION RECEPTACLE ASSEMBLY	
		ALL DIMENSIONS WITHOUT TOLERANCES ARE FOR REFERENCE ONLY.		SIZE A	SYSTEM NX
<small>PROPRIETARY ITEM EXCEPT FOR USES EXPRESSLY GRANTED IN WRITING, INFORMATION DISCLOSED HEREON IS CONFIDENTIAL AND ALL RIGHTS, PATENT AND OTHERWISE, ARE RESERVED BY SOUTHCO, INC.</small>		PER ASME Y14.5M-1994		DWG NO. J-D5-PRF35X1729ASBNA	
		DRAWN BY CMS/JW	DATE 03MAY2016	SCALE 2:1	SHEET 1 OF 1