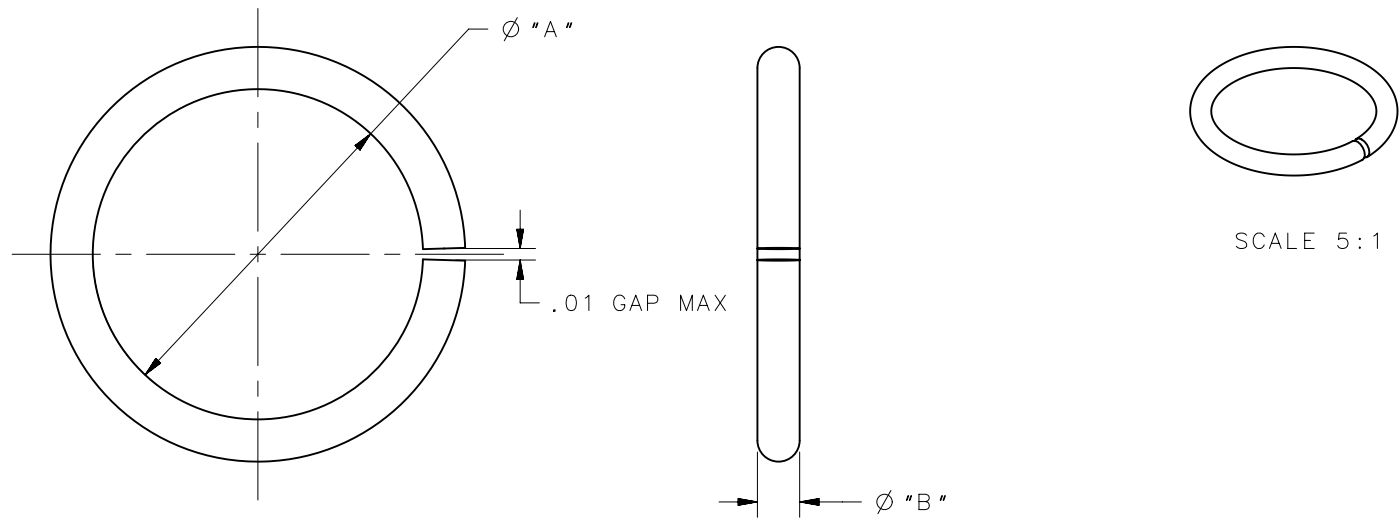


REVISION HISTORY			
REV	DATE	BY	DESCRIPTION
C	27OCT2017	CB1/DMS	PRN: P2017-2627



1219-R35-SS	SR35SS	D4-SR35SSNA	$.202^{+.000}_{-.020}$.022	302 STAINLESS STEEL	PASSIVATED
1219-R7-SS	SR7SS	D4-SR7SSNA	$.402^{+.000}_{-.020}$.051		
1219-R6-SS	SR6SS	D4-SR6SSNA	$.345^{+.000}_{-.021}$.043		
1219-R5-SS-P AS	SR5SSPS	D4-SR5SSPSNA	$.288^{+.000}_{-.012}$.035		
1219-R5-SS	SR5SS	D4-SR5SSNA	$.288^{+.000}_{-.012}$.035		
1219-R4-SS	SR4SS	D4-SR4SSNA	$.230^{+.000}_{-.014}$.029		
1219-R3-SS-P AS	SR3SSPS	D4-SR3SSPSNA	$.172^{+.000}_{-.010}$.022		
1219-R3-SS	SR3SS	D4-SR3SSNA	$.172^{+.000}_{-.010}$.022		
DFCI PART NUMBER	OLD DZUS PART NUMBER	SOUTHCO PART NUMBER	DIM "A"	DIM "B" $\pm .002$	MATERIAL	FINISH

THIRD ANGLE PROJECTION		 CONNECT • CREATE • INNOVATE				
INCHES [MM]						
TOLERANCES UNLESS OTHERWISE NOTED		DESCRIPTION RETAINING RING				
ALL DIMENSIONS WITHOUT TOLERANCES ARE FOR REFERENCE ONLY.		SIZE A	SYSTEM NX	DWG NO. J-D4-SRNA		
<small>PROPRIETARY ITEM EXCEPT FOR USES EXPRESSLY GRANTED IN WRITING, INFORMATION DISCLOSED HEREON IS CONFIDENTIAL AND ALL RIGHTS, PATENT AND OTHERWISE, ARE RESERVED BY SOUTHCO, INC.</small>		PER ASME Y14.5M-1994	DRAWN BY CMS/JWW	DATE 22APR2015	SCALE 10:1	SHEET 1 OF 1