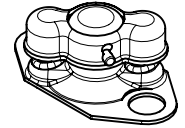
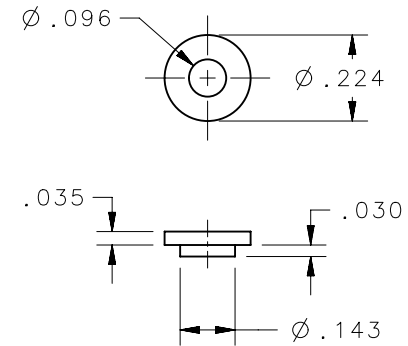
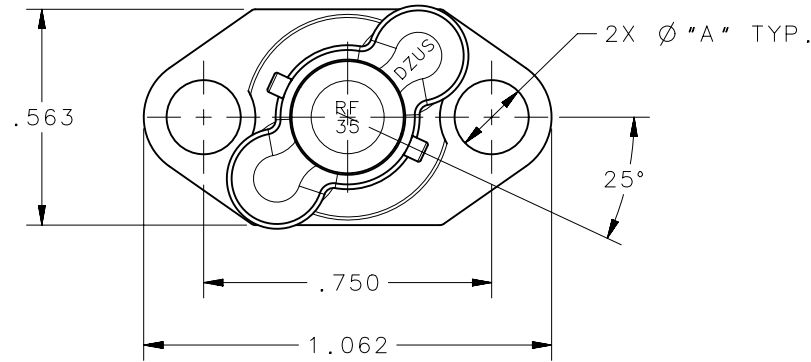


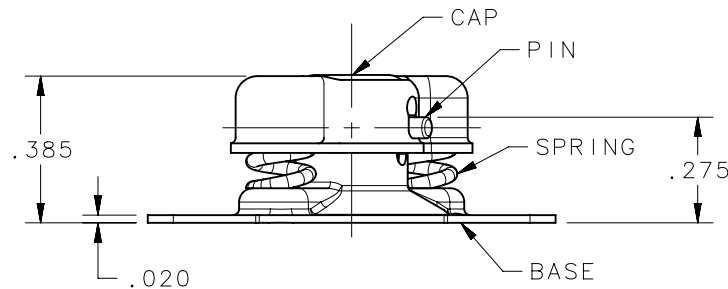
REVISION HISTORY			
REV	DATE	BY	DESCRIPTION
A	15FEB2016	CMS/JW	PRN: P2016-0299



SCALE 1:1



SPACERS



NOTES:

1. MATERIALS:

BASE: A.I.S.I. 4130 STEEL, HEAT TREATED TO ROCKWELL C37-40.
 PIN: TYPE 17-7 STAINLESS STEEL
 SPRING: TYPE 17-7 STAINLESS STEEL
 CAP: A.I.S.I. 1008/1010 STEEL
 SPACERS: TYPE 303 STAINLESS STEEL

2. FINISH:

BASE & CAP: NICKEL PLATE PER QQ-N-290, CLASS 1, GRADE F.

2350-18F-241708-N4F	RF35X1708NCC	D4-RF35X1708NCCNA	.193
2350-18-241708-N4F	R35X1708NCC	D4-R35X1708NCCNA	.096
DFCI PART NUMBER	DZUS PART NUMBER	SOUTHCO PART NUMBER	DIM Ø "A"
CAGE CODE 72794	THIRD ANGLE PROJECTION	 CONNECT • CREATE • INNOVATE	
	INCHES [MM]		
	TOLERANCES UNLESS OTHERWISE NOTED	DESCRIPTION RECEPTACLE ASSEMBLY	
	ALL DIMENSIONS ARE FOR REFERENCE ONLY UNLESS OTHERWISE SPECIFIED	SIZE A	SYSTEM NX
	PER ASME Y14.5M-1994	DWG NO. J-D4-R35X1708NCCNA	
PROPRIETARY ITEM EXCEPT FOR USES EXPRESSLY GRANTED IN WRITING, INFORMATION DISCLOSED HEREON IS CONFIDENTIAL AND ALL RIGHTS, PATENT AND OTHERWISE, ARE RESERVED BY SOUTHCO, INC.	DRAWN BY CMS/JW	DATE 04FEB2016	SCALE 2:1
		SHEET 1 OF 1	