

6

5

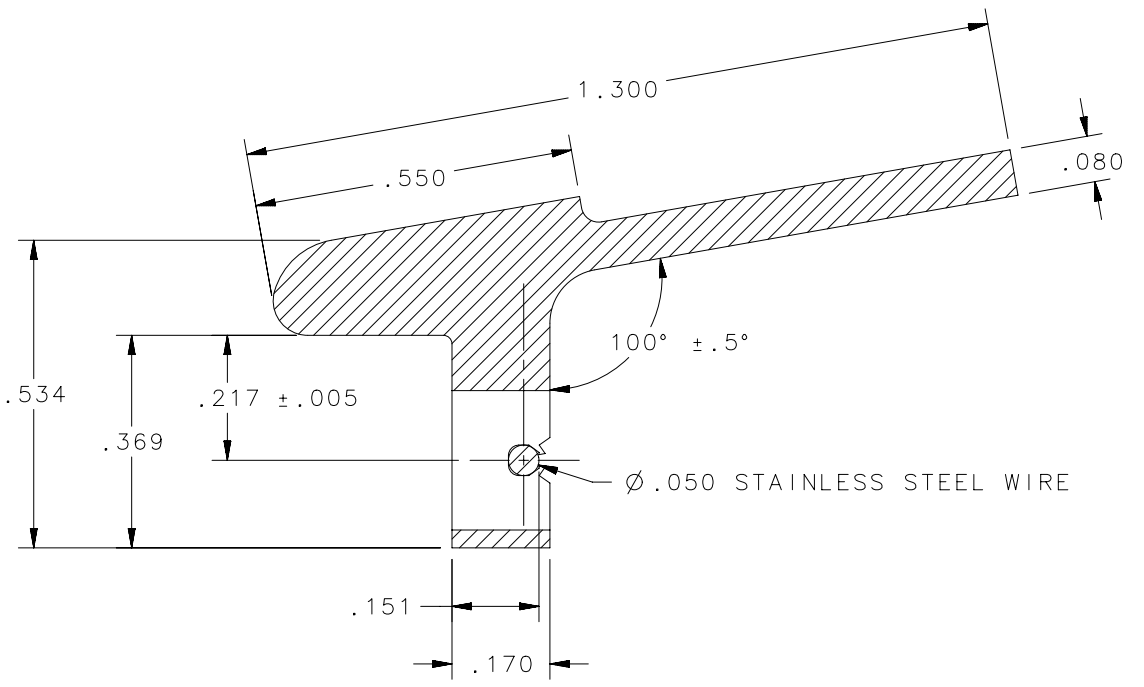
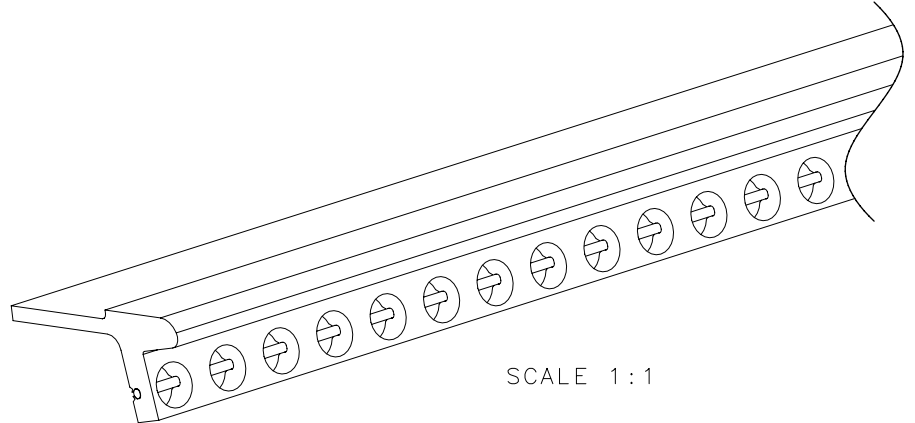
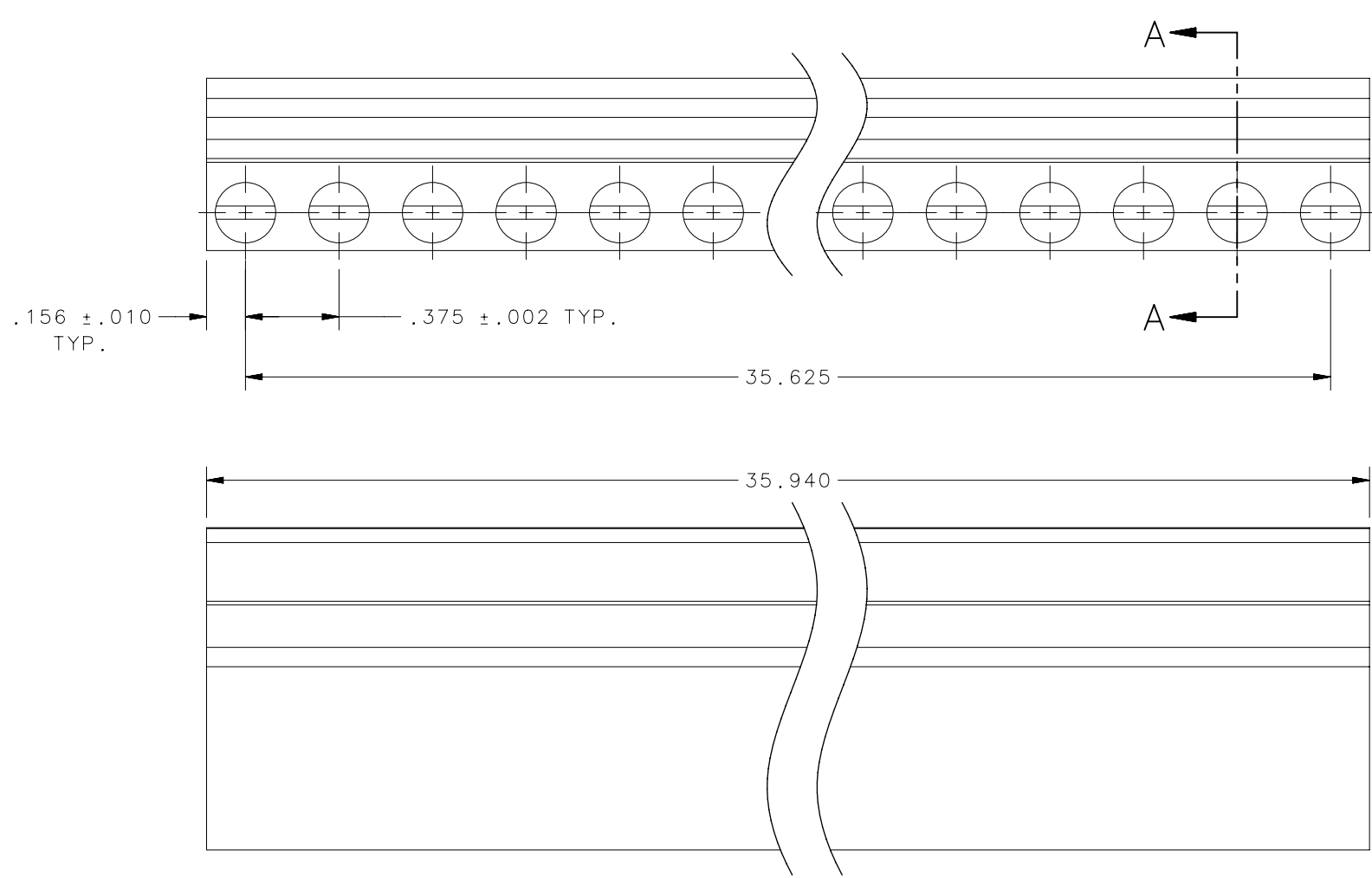
4

3

2


1

REVISION HISTORY			
REV	DATE	BY	DESCRIPTION
A	10FEB2016	CMS/JW	PRN: P2016-0288



NOTES:

- MATERIAL:  
STRIP: 7075-T6511, ALUMINUM ALLOY PER QQ-A-200/8.  
WIRE: Ø.050 316 STAINLESS STEEL WIRE.
- SEE J-D5-0-3 FOR FINISHES.

3590-241704-H96 DFCI PART NUMBER		PR35X1704H096 DZUS PART NUMBER		D5-PR35X1704H096NA SOUTHCO PART NUMBER	
THIRD ANGLE PROJECTION					
INCHES [MM]					
TOLERANCES UNLESS OTHERWISE NOTED		DESCRIPTION RECEPTACLE STRIP			
ALL DIMENSIONS WITHOUT TOLERANCES ARE FOR REFERENCE ONLY.		SIZE B	SYSTEM NX	DWG NO. J-D5-PR35X1704H096NA	
PER ASME Y14.5M-1994		DRAWN BY CMS/JW	DATE 10FEB2016	SCALE 1.5:1	SHEET 1 OF 1

6

5

4

3

2

1